

**SAMSUNG**

## DVD PLAYER

Chassis : Sellino

DVD-S221

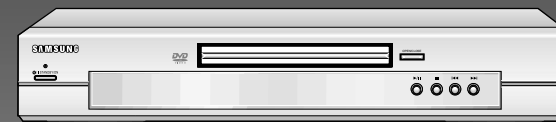
DVD-S222

DVD-S320

DVD-S321

# **SERVICE** *Manual*

### DVD PLAYER



DVD-S221



DVD-S220/S320



DVD-S321

### CONTENTS

1. Precautions
2. Disassembly and Reassembly
3. Troubleshooting
4. Exploded Views and Parts List
5. Electrical Parts List
6. Block Diagrams
7. PCB Diagrams
8. Wiring Diagrams
9. Schematic Diagrams

**SAMSUNG**

ELECTRONICS

SERVICE MANUAL

DVD-S221/S222/S320/S321

# 1. Precautions

## 1-1 Safety Precautions

1) Before returning an instrument to the customer, always make a safety check of the entire instrument, including, but not limited to, the following items:

(1) Be sure that no built-in protective devices are defective or have been defeated during servicing. (1) Protective shields are provided to protect both the technician and the customer. Correctly replace all missing protective shields, including any remove for servicing convenience.

(2) When reinstalling the chassis and/or other assembly in the cabinet, be sure to put back in place all protective devices, including, but not limited to, nonmetallic control knobs, insulating fish papers, adjustment and compartment covers/shields, and isolation resistor/capacitor networks. Do not operate this instrument or permit it to be operated without all protective devices correctly installed and functioning.

(2) Be sure that there are no cabinet openings through which adults or children might be able to insert their fingers and contact a hazardous voltage. Such openings include, but are not limited to, excessively wide cabinet ventilation slots, and an improperly fitted and/or incorrectly secured cabinet back cover.

(3) Leakage Current Hot Check-With the instrument completely reassembled, plug the AC line cord directly into a 120V AC outlet. (Do not use a isolation transformer during this test.) Use a leakage current tester or a metering system that complies with American National Standards institute (ANSI) C101.1 Leakage Current for Appliances and Underwriters Laboratories (UL) 1270 (40.7). With the instrument's AC switch first in the ON position and then in the OFF position, measure from a known earth ground (metal water pipe, conduit, etc.) to all exposed metal parts of the instrument (antennas, handle brackets, metal cabinets, screw-heads, metallic overlays, control shafts, etc.), especially any exposed metal parts that offer an electrical return path to the chassis.

Any current measured must not exceed 0.5mA. Reverse the instrument power cord plug in the outlet and repeat the test. See Fig. 1-1.

Any measurements not within the limits specified herein indicate a potential shock hazard that must be eliminated before returning the instrument to the customer.

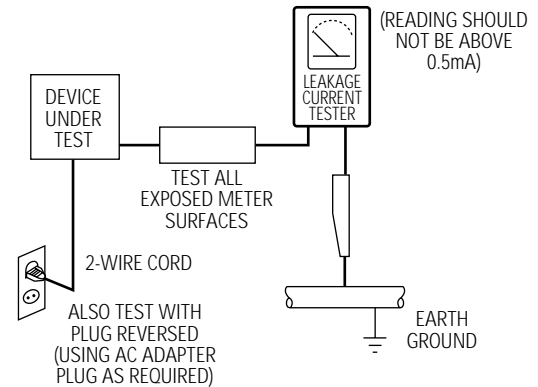


Fig. 1-1 AC Leakage Test

(4) Insulation Resistance Test Cold Check-(1) Unplug the power supply cord and connect a jumper wire between the two prongs of the plug. (2) Turn on the power switch of the instrument. (3) Measure the resistance with an ohmmeter between the jumpered AC plug and all exposed metallic cabinet parts on the instrument, such as screwheads, antenna, control shafts, handle brackets, etc. When an exposed metallic part has a return path to the chassis, the reading should be between 1 and 5.2 megohm. When there is no return path to the chassis, the reading must be infinite. If the reading is not within the limits specified, there is the possibility of a shock hazard, and the instrument must be re-pared and rechecked before it is returned to the customer. See Fig. 1-2.

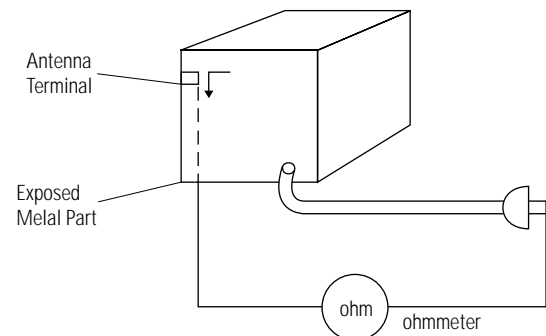
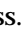



Fig. 1-2 Insulation Resistance Test

- 2) Read and comply with all caution and safety related notes non or inside the cabinet, or on the chassis.
- 3) Design Alteration Warning-Do not alter or add to the mechanical or electrical design of this instrument. Design alterations and additions, including but not limited to, circuit modifications and the addition of items such as auxiliary audio output connections, might alter the safety characteristics of this instrument and create a hazard to the user. Any design alterations or additions will make you, the service, responsible for personal injury or property damage resulting therefrom.
- 4) Observe original lead dress. Take extra care to assure correct lead dress in the following areas:
  - (1) near sharp edges, (2) near thermally hot parts (be sure that leads and components do not touch thermally hot parts), (3) the AC supply, (4) high voltage, and (5) antenna wiring. Always inspect in all areas for pinched, out-of-place, or frayed wiring. Do not change spacing between a component and the printed-circuit board. Check the AC power cord for damage.
- 5) Components, parts, and/or wiring that appear to have overheated or that are otherwise damaged should be replaced with components, parts and/or wiring that meet original specifications. Additionally, determine the cause of overheating and/or damage and, if necessary, take corrective action to remove any potential safety hazard.
- 6) Product Safety Notice-Some electrical and mechanical parts have special safety-related characteristics which are often not evident from visual inspection, nor can the protection they give necessarily be obtained by replacing them with components rated for higher voltage, wattage, etc. Parts that have special safety characteristics are identified by shading, an () or a () on schematics and parts lists. Use of a substitute replacement that does not have the same safety characteristics as the recommended replacement part might create shock, fire and/or other hazards. Product safety is under review continuously and new instructions are issued whenever appropriate.

## 1-2 Servicing Precautions

---

**CAUTION :** Before servicing Instruments covered by this service manual and its supplements, read and follow the Safety Precautions section of this manual.

**Note :** If unforeseen circumstance create conflict between the following servicing precautions and any of the safety precautions, always follow the safety precautions. Remember: Safety First.

### 1-2-1 General Servicing Precautions

- (1) a. Always unplug the instrument's AC power cord from the AC power source before (1) removing or reinstalling any component, circuit board, module or any other instrument assembly, (2) disconnecting any instrument electrical plug or other electrical connection, (3) connecting a test substitute in parallel with an electrolytic capacitor in the instrument.
- b. Do not defeat any plug/socket B+ voltage interlocks with which instruments covered by this service manual might be equipped.
- c. Do not apply AC power to this instrument and /or any of its electrical assemblies unless all solid-state device heat sinks are correctly installed.
- d. Always connect a test instrument's ground lead to the instrument chassis ground before connecting the test instrument positive lead. Always remove the test instrument ground lead last.

**Note :** Refer to the Safety Precautions section ground lead last.

- (2) The service precautions are indicated or printed on the cabinet, chassis or components. When servicing, follow the printed or indicated service precautions and service materials.
- (3) The components used in the unit have a specified flame resistance and dielectric strength. When replacing components, use components which have the same ratings. Components identified by shading, by (⚡) or by (⚡) in the circuit diagram are important for safety or for the characteristics of the unit. Always replace them with the exact replacement components.

(4) An insulation tube or tape is sometimes used and some components are raised above the printed wiring board for safety. The internal wiring is sometimes clamped to prevent contact with heating components. Install such elements as they were.

(5) After servicing, always check that the removed screws, components, and wiring have been installed correctly and that the portion around the serviced part has not been damaged and so on. Further, check the insulation between the blades of the attachment plug and accessible conductive parts.

### 1-2-2 Insulation Checking Procedure

Disconnect the attachment plug from the AC outlet and turn the power ON. Connect the insulation resistance meter (500V) to the blades of the attachment plug. The insulation resistance between each blade of the attachment plug and accessible conductive parts (see note) should be more than 1 Megohm.

**Note :** Accessible conductive parts include metal panels, input terminals, earphone jacks, etc.

## 1-3 ESD Precautions

---

### Electrostatically Sensitive Devices (ESD)

Some semiconductor (solid state) devices can be damaged easily by static electricity.

Such components commonly are called Electrostatically Sensitive Devices(ESD). Examples of typical ESD devices are integrated circuits and some field-effect transistors and semiconductor chip components. The following techniques should be used to help reduce the incidence of component damage caused by static electricity.

- (1) Immediately before handling any semiconductor component or semiconductor-equipped assembly, drain off any electrostatic charge on your body by touching a known earth ground. Alternatively, obtain and wear a commercially available discharging wrist strap device, which should be removed for potential shock reasons prior to applying power to the unit under test.
- (2) After removing an electrical assembly equipped with ESD devices, place the assembly on a conductive surface such as aluminum foil, to prevent electrostatic charge buildup or exposure of the assembly.
- (3) Use only a grounded-tip soldering iron to solder or unsolder ESD devices.
- (4) Use only an anti-static solder removal devices. Some solder removal devices not classified as "anti-static" can generate electrical charges sufficient to damage ESD devices.
- (5) Do not use freon-propelled chemicals. These can generate electrical charges sufficient to damage ESD devices.
- (6) Do not remove a replacement ESD device from its protective package until immediately before you are ready to install it.(Most replacement ESD devices are packaged with leads electrically shorted together by conductive foam, aluminum foil or comparable conductive materials).
- (7) Immediately before removing the protective materials from the leads of a replacement ESD device, touch the protective material to the chassis or circuit assembly into which the device will be installed.
- (8) Minimize bodily motions when handling unpackaged replacement ESD devices. (Otherwise harmless motion such as the brushing together of your clothes fabric or the lifting of your foot from a carpeted floor can generate static electricity sufficient to damage an ESD device).

**CAUTION :** Be sure no power is applied to the chassis or circuit, and observe all other safety precautions.

## 1-4 Handling the optical pick-up

The laser diode in the optical pick up may suffer electrostatic breakdown because of potential static electricity from clothing and your body.

The following method is recommended.

- (1) Place a conductive sheet on the work bench (The black sheet used for wrapping repair parts.)
  - (2) Place the set on the conductive sheet so that the chassis is grounded to the sheet.
  - (3) Place your hands on the conductive sheet (This gives them the same ground as the sheet.)
  - (4) Remove the optical pick up block
  - (5) Perform work on top of the conductive sheet. Be careful not to let your clothes or any other static sources to touch the unit.
- ◆ Be sure to put on a wrist strap grounded to the sheet.
  - ◆ Be sure to lay a conductive sheet made of copper etc. Which is grounded to the table.

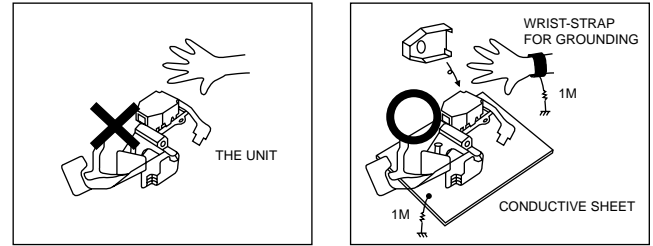


Fig.1-3

- (6) Short the short terminal on the PCB, which is inside the Pick-Up ASS'Y, before replacing the Pick-Up. (The short terminal is shorted when the Pick-Up Ass'y is being lifted or moved.)
- (7) After replacing the Pick-up, open the short terminal on the PCB.

## 1-5 Pick-up disassembly and reassembly

### 1-5-1 Disassembly

- 1) Remove the power cord.
- 2) Disassemble the Deck-Assy.
- 3) Make solder land 2 points short on Pick-up.  
(See Fig. 1-4)
- 4) Disassembly the Pick-up.

### 1-5-2 Assembly

- 1) Replace the Pick-up.
- 2) Remove the soldering 2 points on Pick-up.
- 3) Reassemble the Deck-Assy.

**Note :** If the assembly and disassembly are not done in correct sequence, the Pick-up may be damaged.

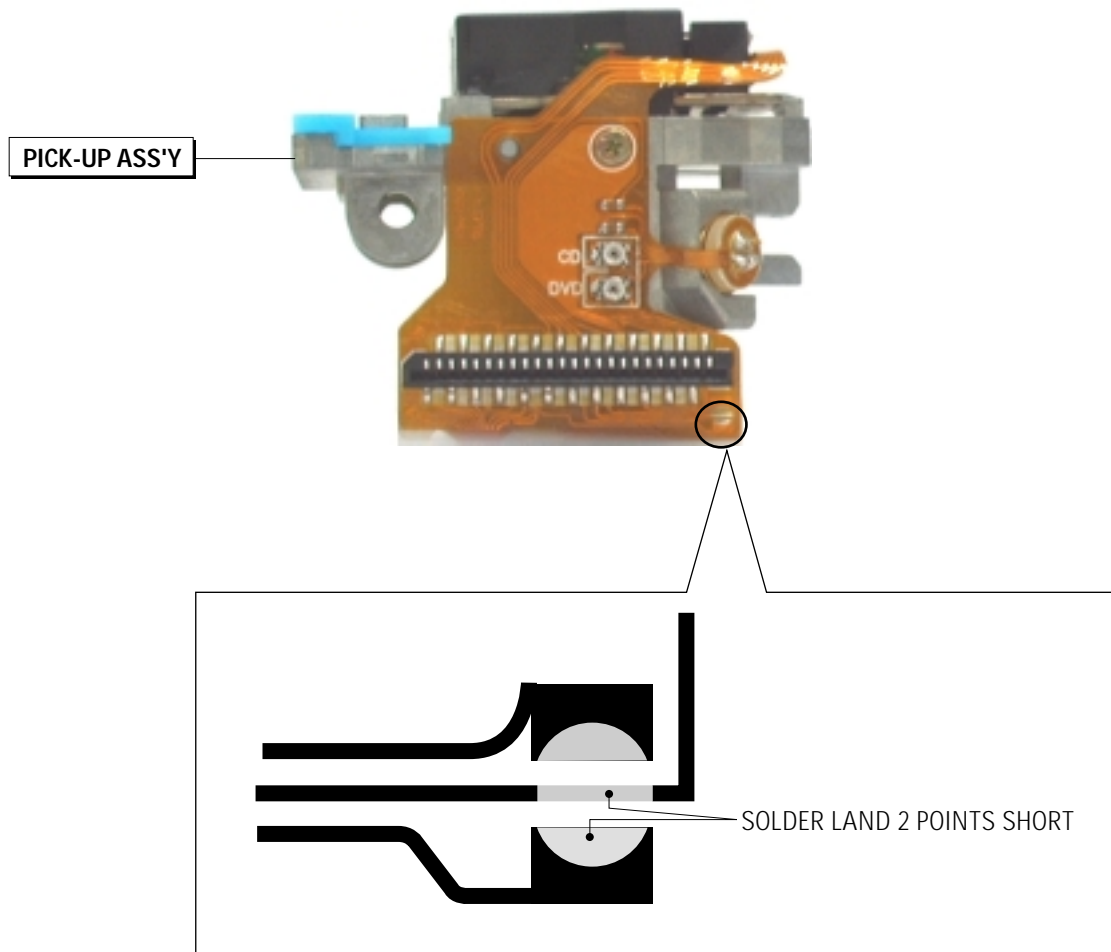


Fig. 1-4

---

## 2. Disassembly and Reassembly

---

### 2-1 Cabinet and PCB

---

**Note : Reassembly in reverse order.**

#### 2-1-1 Top Cabinet Removal

- 1) Remove 3 Screws ❶ on the back Top Cabinet.
- 2) Lift up the Top Cabinet in direction of arrow.

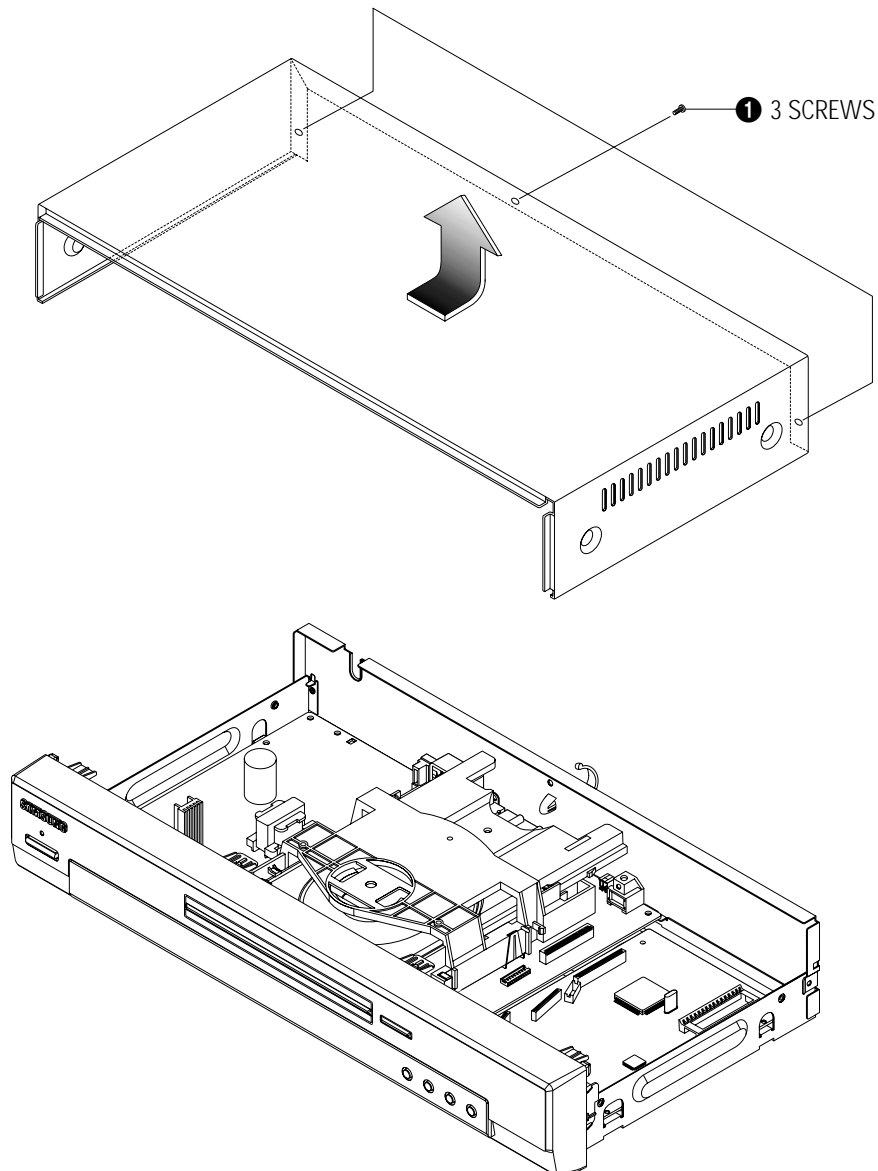


Fig. 2-1 Top Cabinet Removal



## 2-1-2 Door-Tray Removal

- 1) Supply power and open Tray ❶.
- 2) Disassemble the Door-Tray ❷ in direction of arrow "A".
- 3) Close Tray ❶ and power off.

**Note :** If Tray ❶ doesn't open, insert a Screw driver ❹ into the Emergency hole ❸ (as shown in detailed drawing) and then push it in the direction of arrow "B". Open Tray manually.

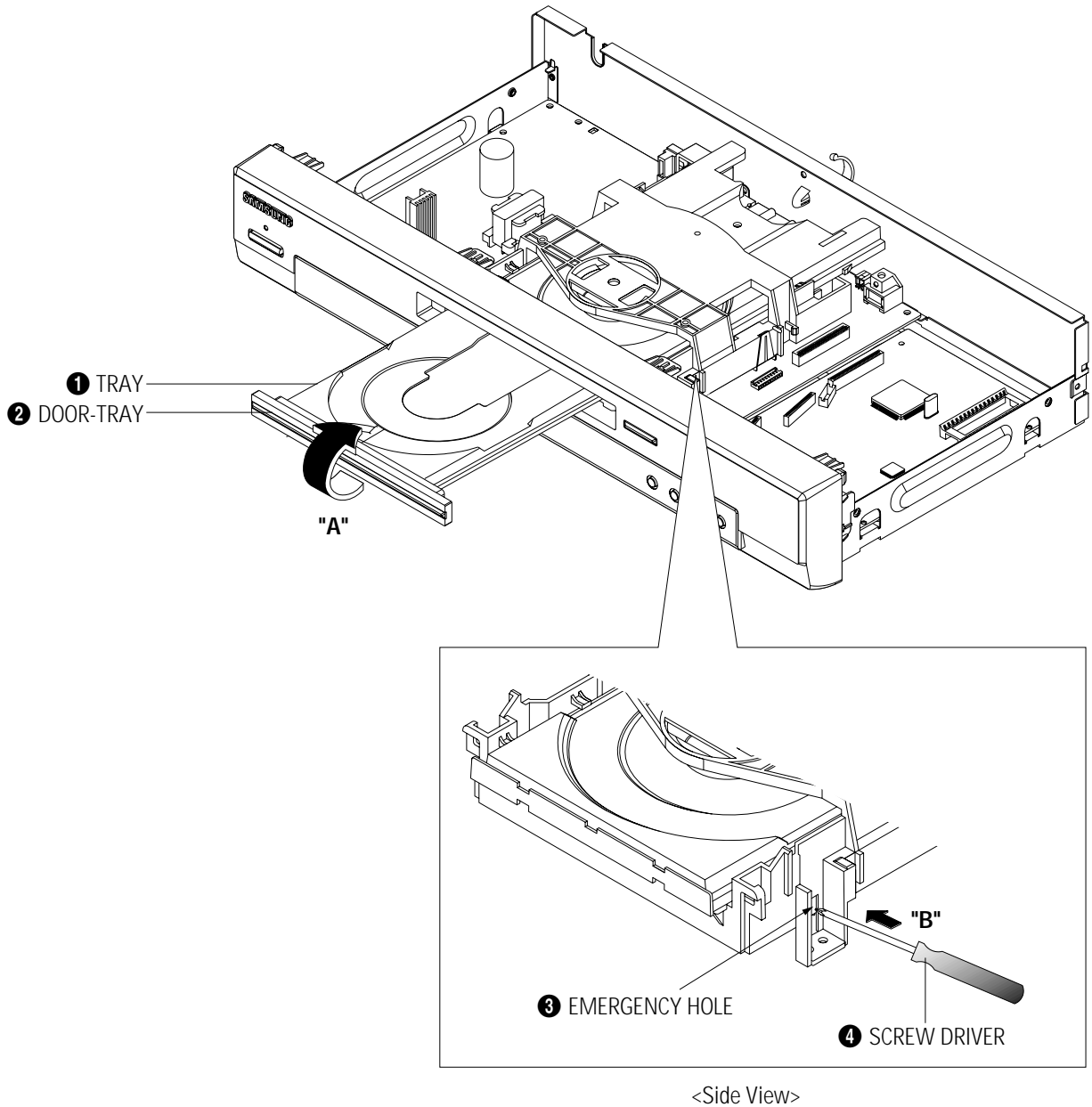


Fig. 2-2 Door-Tray Removal

## 2-1-3 Ass'y Front-Cabinet Removal

### <DVD-S221/S222/S320>

- 1) Release 6 Hooks ①, ②, ③, ④ and remove Ass'y Front-Cabinet ⑤.

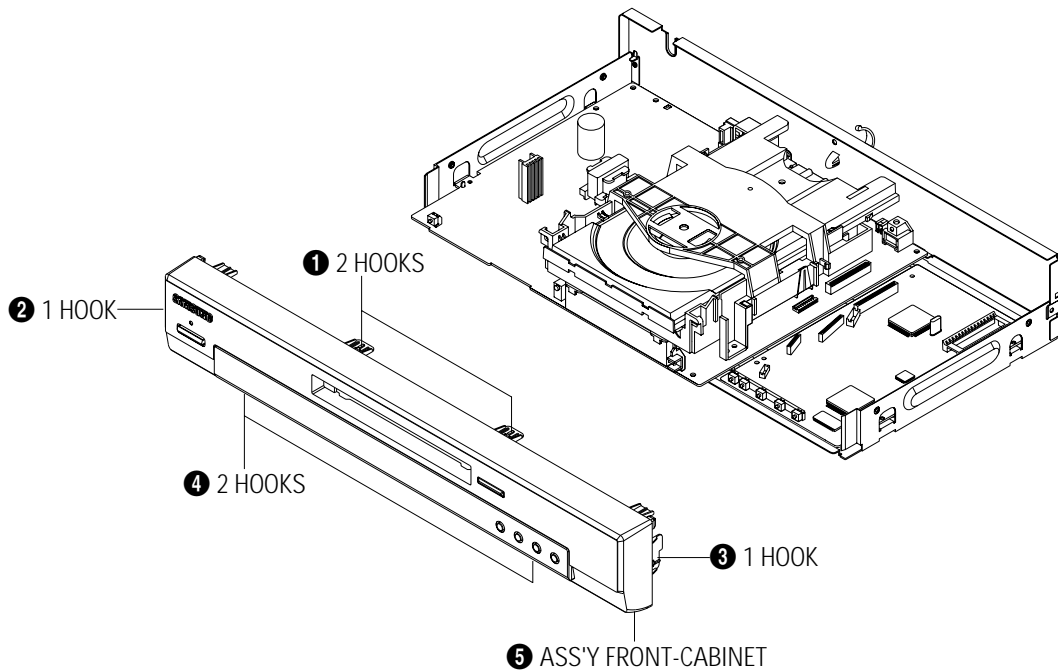


Fig. 2-3 Ass'y Front-Cabinet Removal (DVD-S221/S222/S320)

### <DVD-S321>

- 1) Remove Knob-Volume ①.
- 2) Release 6 Hooks ②, ③, ④, ⑤ and remove Ass'y Front-Cabinet ⑥.
- 3) Remove Knob-Jog ⑦, 5 Screws ⑧, and Key PCB ⑨.

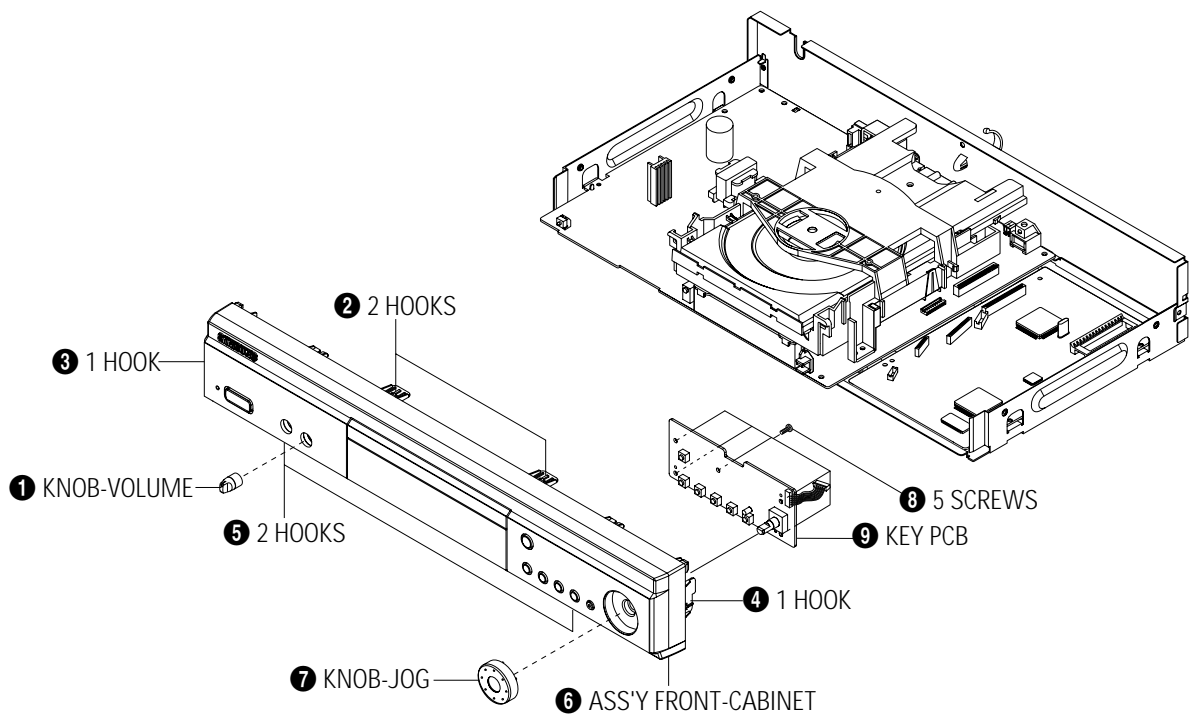


Fig. 2-4 Ass'y Front-Cabinet Removal (DVD-S321)

## 2-1-4 Ass'y Deck Removal

- 1) Disconnect Flat-Cable, Connect-Wire from DCN1, DCN2 and DCN3 on Main PCB.
- 2) Remove 3 Screws ❶ from the Ass'y Deck and lift it up.

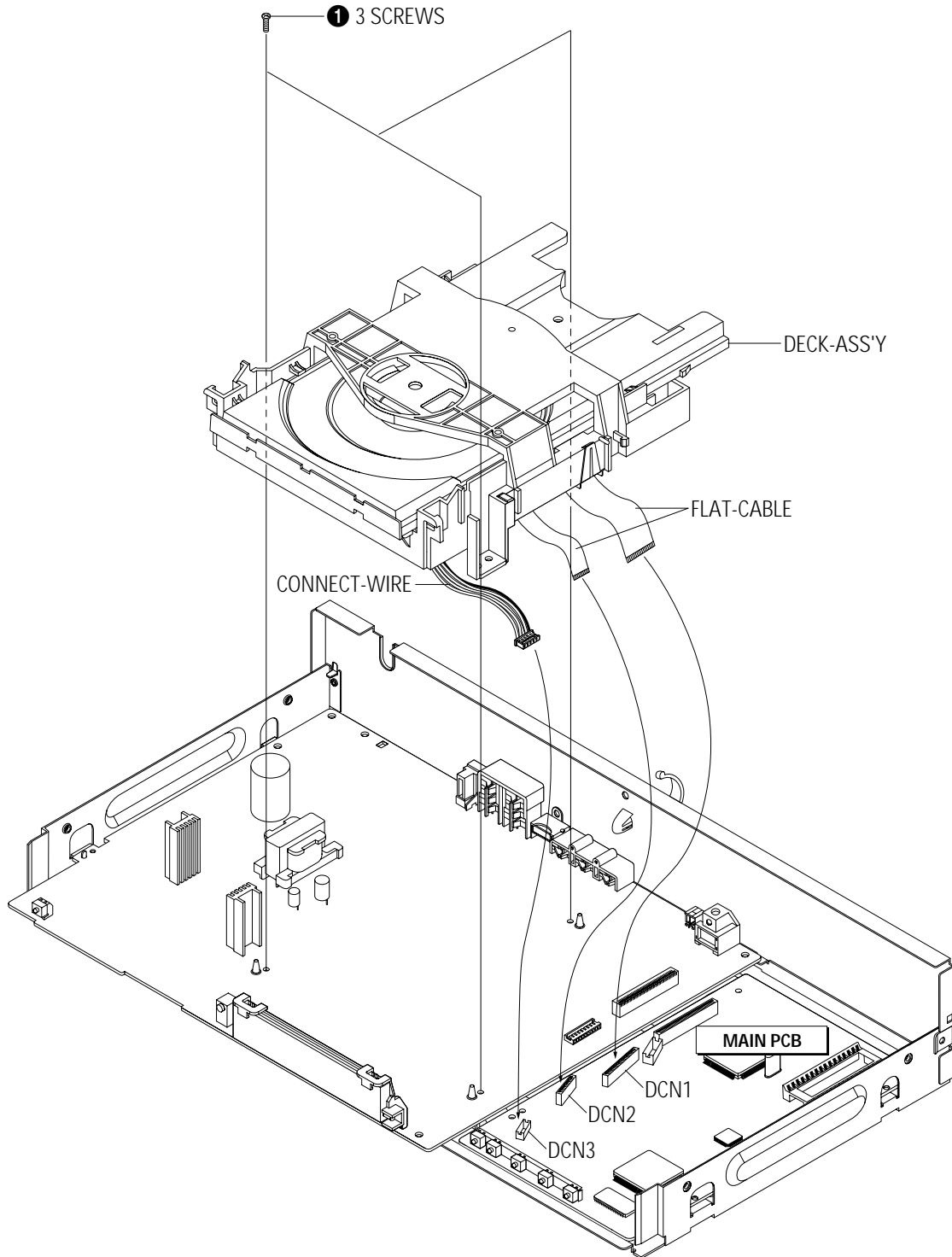


Fig. 2-5 Ass'y Deck Removal

## 2-1-5 Main PCB, Jack PCB Removal

- 1) Remove 3 Screws ❶, ❷ and lift up the Jack PCB ❸.
- 2) Remove 3 Screws ❹ and lift up the Main PCB ❺.

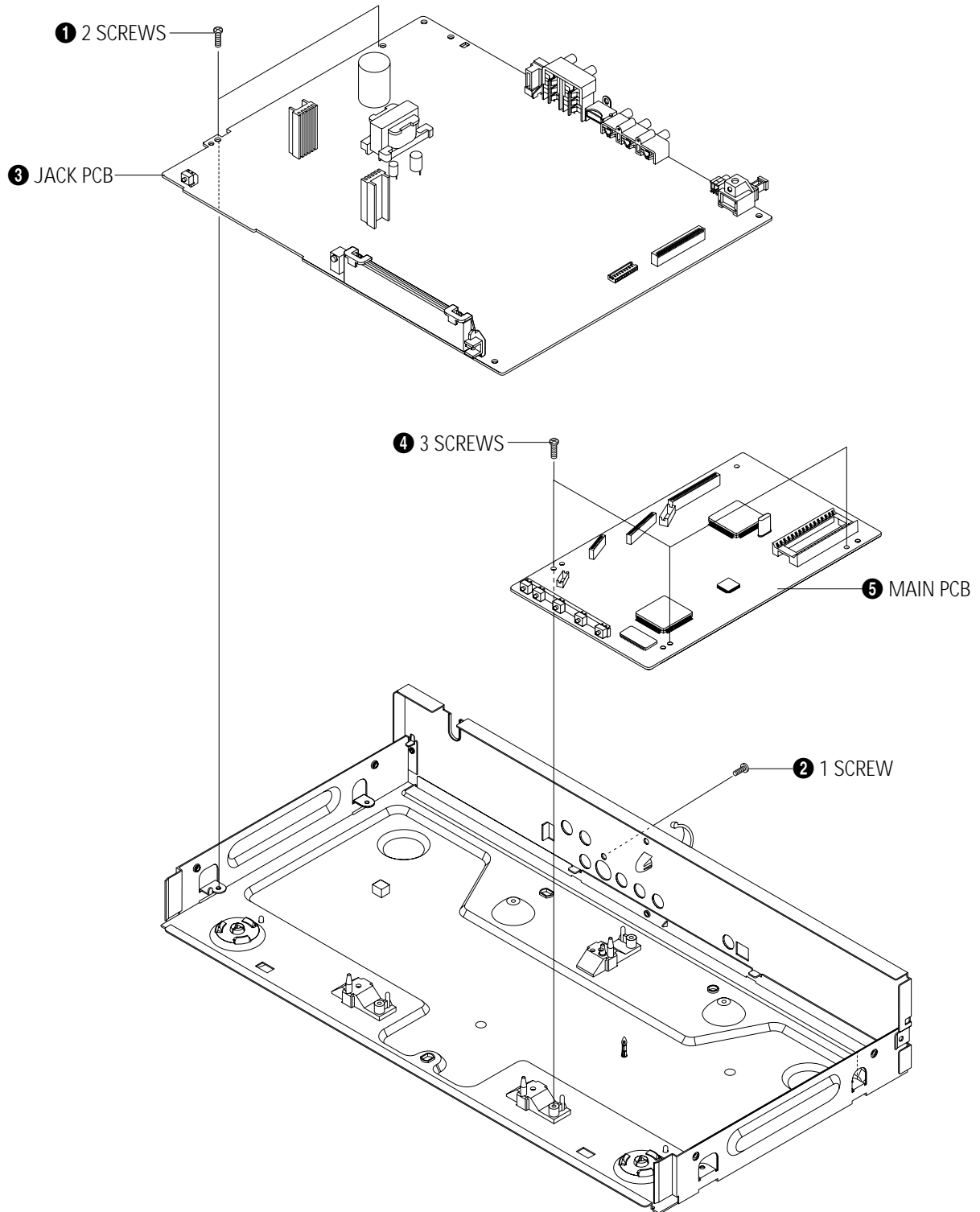
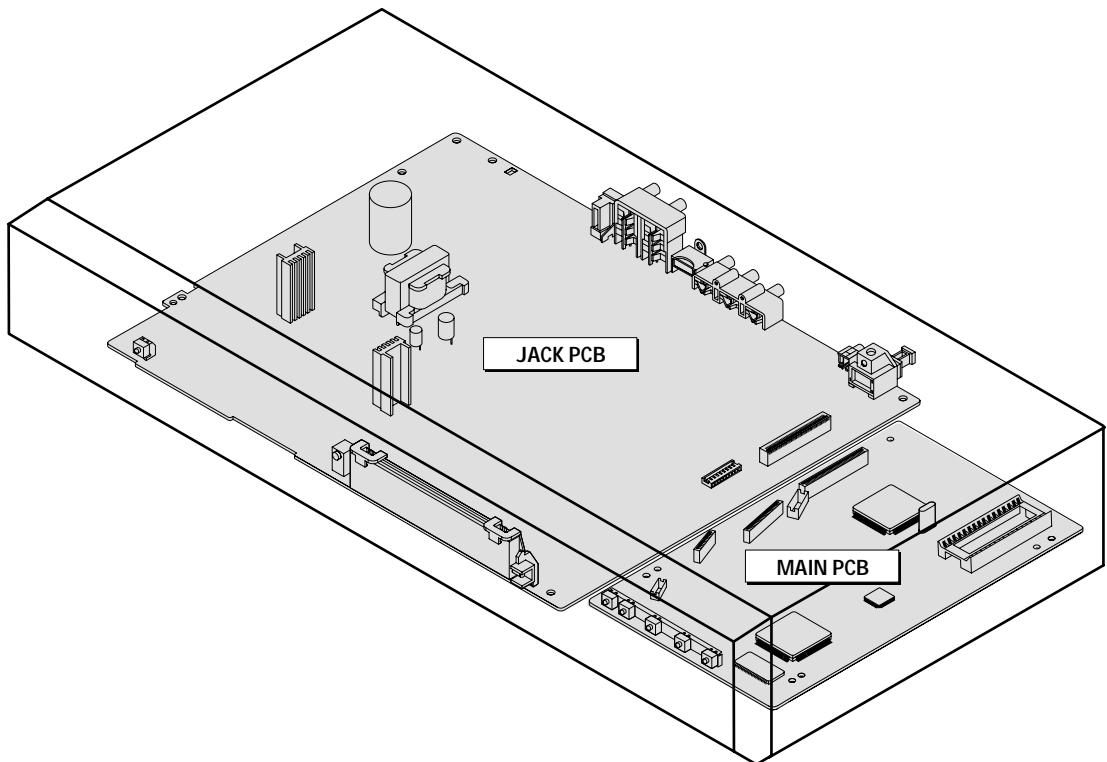


Fig. 2-6 Main PCB, Jack PCB Removal

## 2-2 PCB Location

DVD-S221/S222/S320



DVD-S321

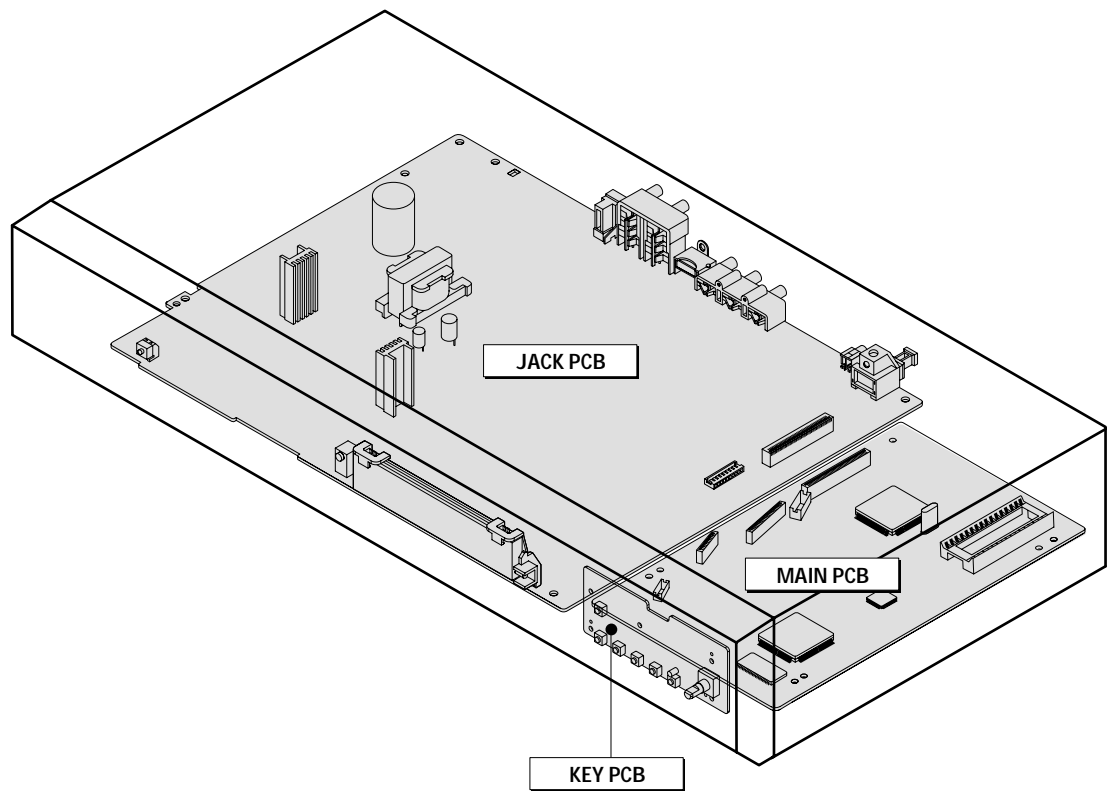
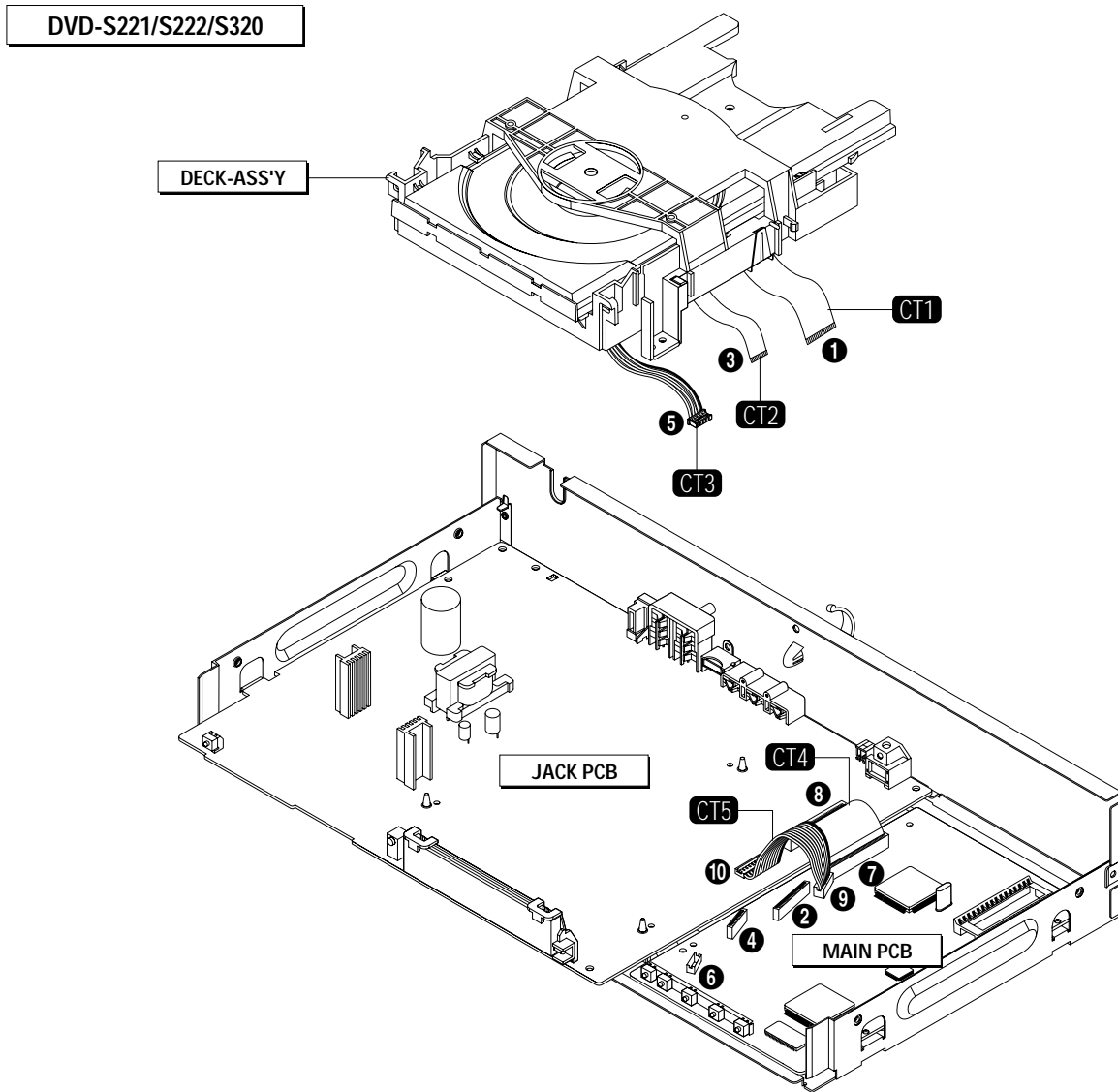


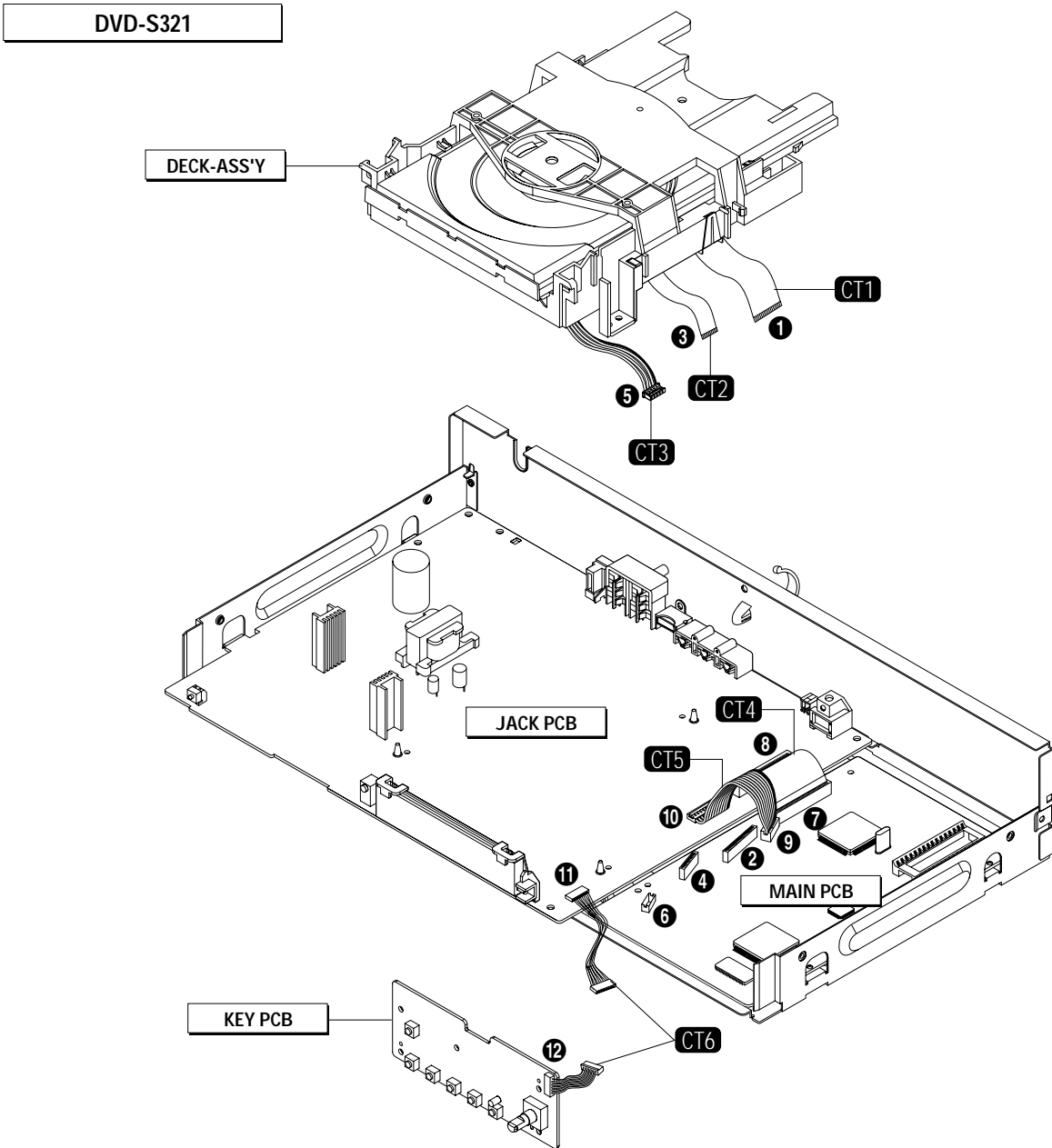
Fig. 2-7 PCB Location

## 2-3 Connector Diagram



NO.	CONNECTOR NO.	DIRECTION	CONNECTOR NO.	NO.
①	FLAT-CABLE	DECK ASS'Y ← <b>CT1</b> → MAIN PCB	DCN1	②
③	FLAT-CABLE	DECK ASS'Y ← <b>CT2</b> → MAIN PCB	DCN2	④
⑤	CONNECT-WIRE (HCN1)	HOUSING PCB ← <b>CT3</b> → JACK PCB	DCN3	⑥
⑦	CN8	MAIN PCB ← <b>CT4</b> → JACK PCB	CN1	⑧
⑨	PCN1	MAIN PCB ← <b>CT5</b> → JACK PCB	PCNS1	⑩

Fig. 2-8 Connector Diagram



NO.	CONNECTOR NO.	DIRECTION	CONNECTOR NO.	NO.
①	FLAT-CABLE	DECK ASS'Y ← CT1 → MAIN PCB	DCN1	②
③	FLAT-CABLE	DECK ASS'Y ← CT2 → MAIN PCB	DCN2	④
⑤	CONNECT-WIRE (HCN1)	HOUSING PCB ← CT3 → JACK PCB	DCN3	⑥
⑦	CN8	MAIN PCB ← CT4 → JACK PCB	CN1	⑧
⑨	PCN1	MAIN PCB ← CT5 → JACK PCB	PCNS1	⑩
⑪	CN3	JACK PCB ← CT6 → KEY PCB	KCN1	⑫

Fig. 2-9 Connector Diagram

## 2-4 Deck

### 2-4-1 Tray Disc Removal

- 1) Insert a Screw Driver **1** into Emergency Hole **2** and push the Slider Housing **3** in the direction arrow "A".
- 2) When the Tray Disc **4** comes out a little, pull it in the direction arrow "B" by hand.
- 3) Pull the Tray Disc **4** to disassemble, while simultaneously pushing 2 Stoppers **5** (left, right) in the direction arrow "C", "D".

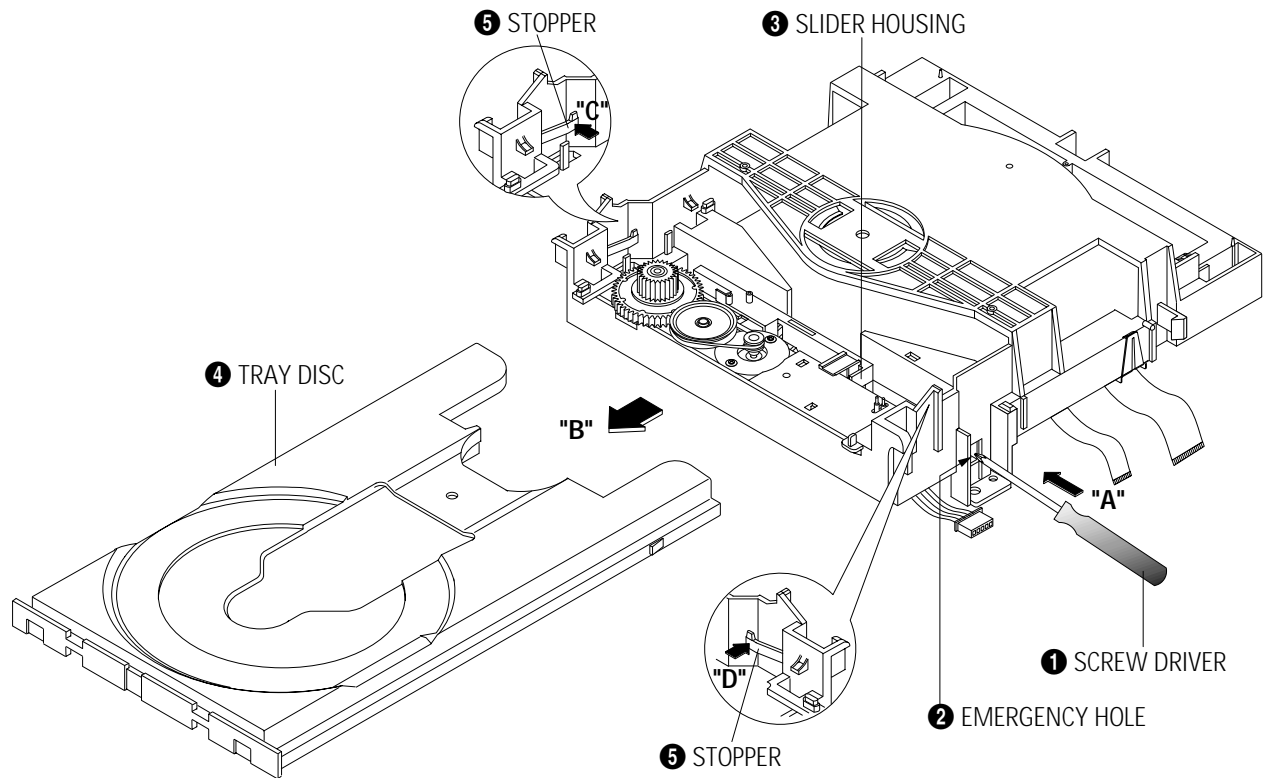


Fig. 2-10 Tray Disc Removal



## 2-4-2 Assy P/U Deck Removal

- 1) Disconnect DCN2 ①, DCN3 ②.
- 2) Lift down the Assy P/U Deck ③ while simultaneously pushing 2 Hooks ④, ⑤ in the direction of arrow "A", "B".

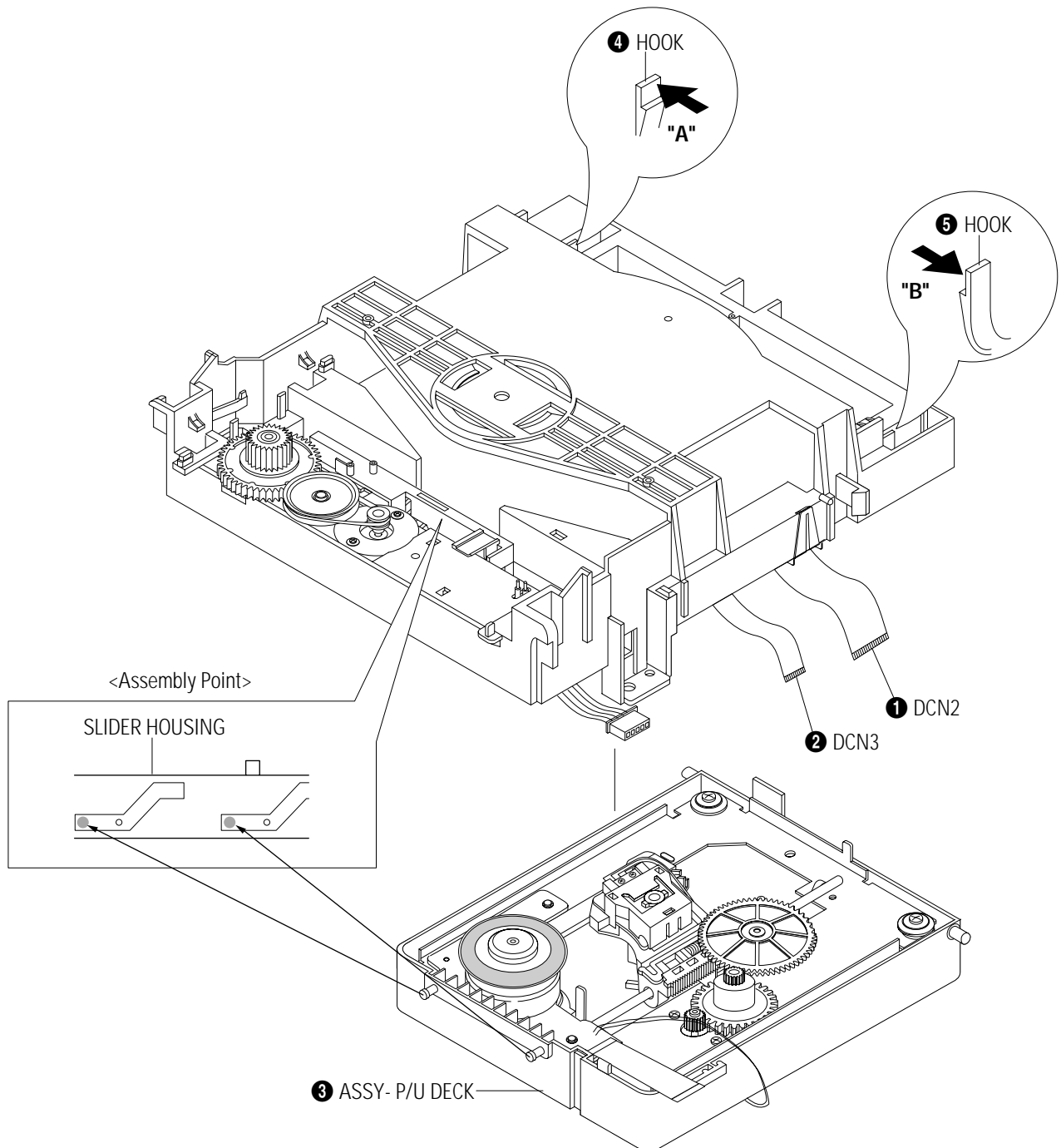


Fig. 2-11 Assy P/U Deck Removal

### 2-4-3 Housing Ass'y Removal

- 1) Remove Belt ①.
- 2) Push the Hook ② in the direction arrow "A" and lift up Pulley Gear ③.
- 3) Push the Slider Housing ⑤ in the direction arrow "B" and lift up the Gear Tray ④.
- 4) Lift up the Slider Housing ⑤.
- 5) Remove the soldering ⑥ of 2 points (Red, Black).
- 6) Remove 2 Screws ⑦ and lift down the Motor Load Assy ⑧.
- 7) Push the 3 Hooks ⑨ bottom side in the direction arrow "C" and lift up the Housing PCB ⑩.
- 8) Push the Hooks ⑪ and remove Deck PCB ⑫.

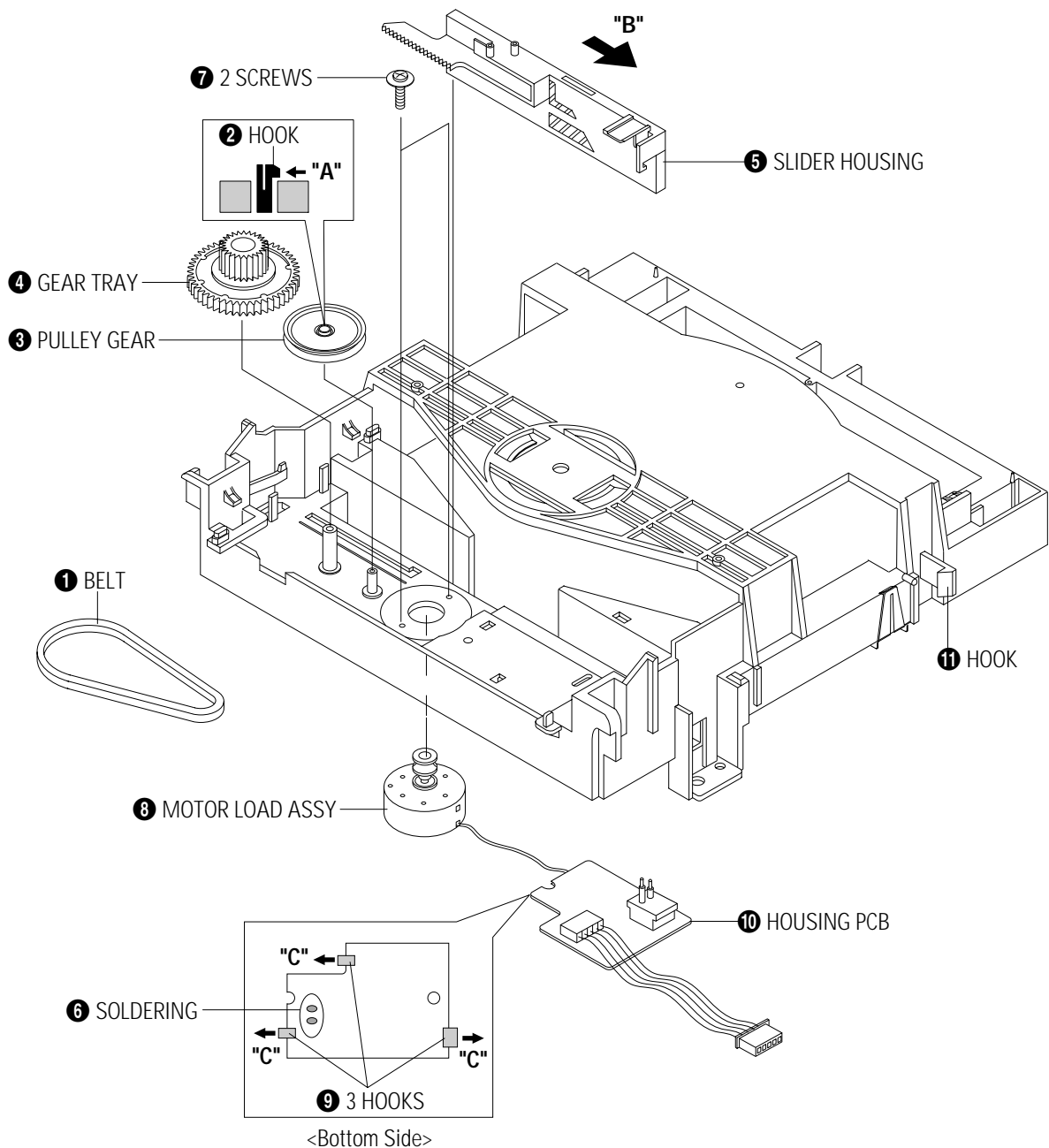


Fig. 2-12 Housing Ass'y Removal

## 2-4-4 Sub Chassis Removal

- 1) Remove the Soldering of Motor Feed (+, - wire) ❶.
- 2) Remove the 4 Screws ❷.
- 3) Lift up the Ass'y Brkt Deck ❸.

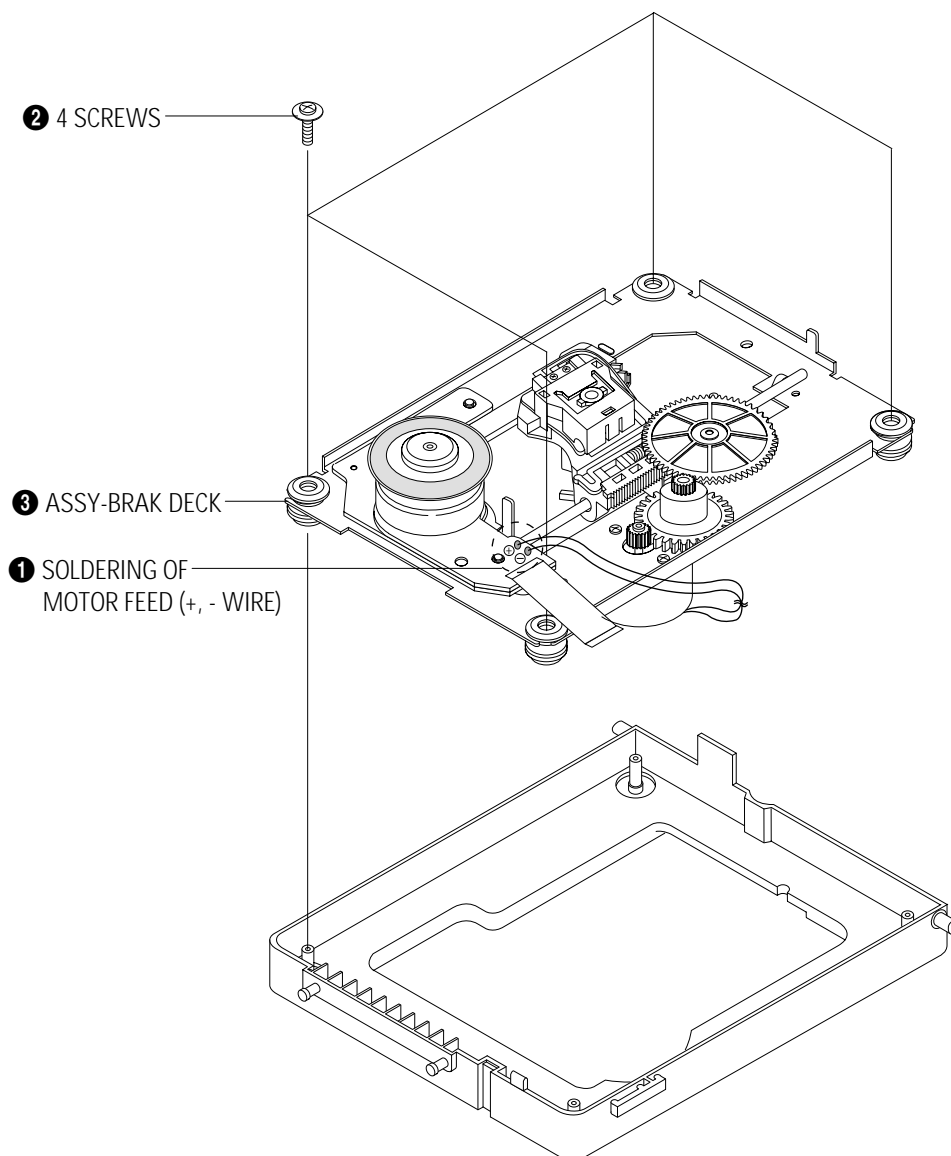


Fig. 2-13 Sub Chassis Removal

## 2-4-5 Ass'y Brkt Deck Removal

- 1) Remove Washer ❶.
- 2) Remove Gear Feed B ❷, Gear Feed A ❸.
- 3) Remove 2 Screws ❹.
- 4) Remove Shaft Pick-Up ❺ and Pick-Up Assy ❻.
- 5) Remove 1 Screw ❼.
- 6) Remove 2 Screws ❽.
- 7) Remove 3 Spring Spindle ❾ and Motor Spindle Ass'y ❿.

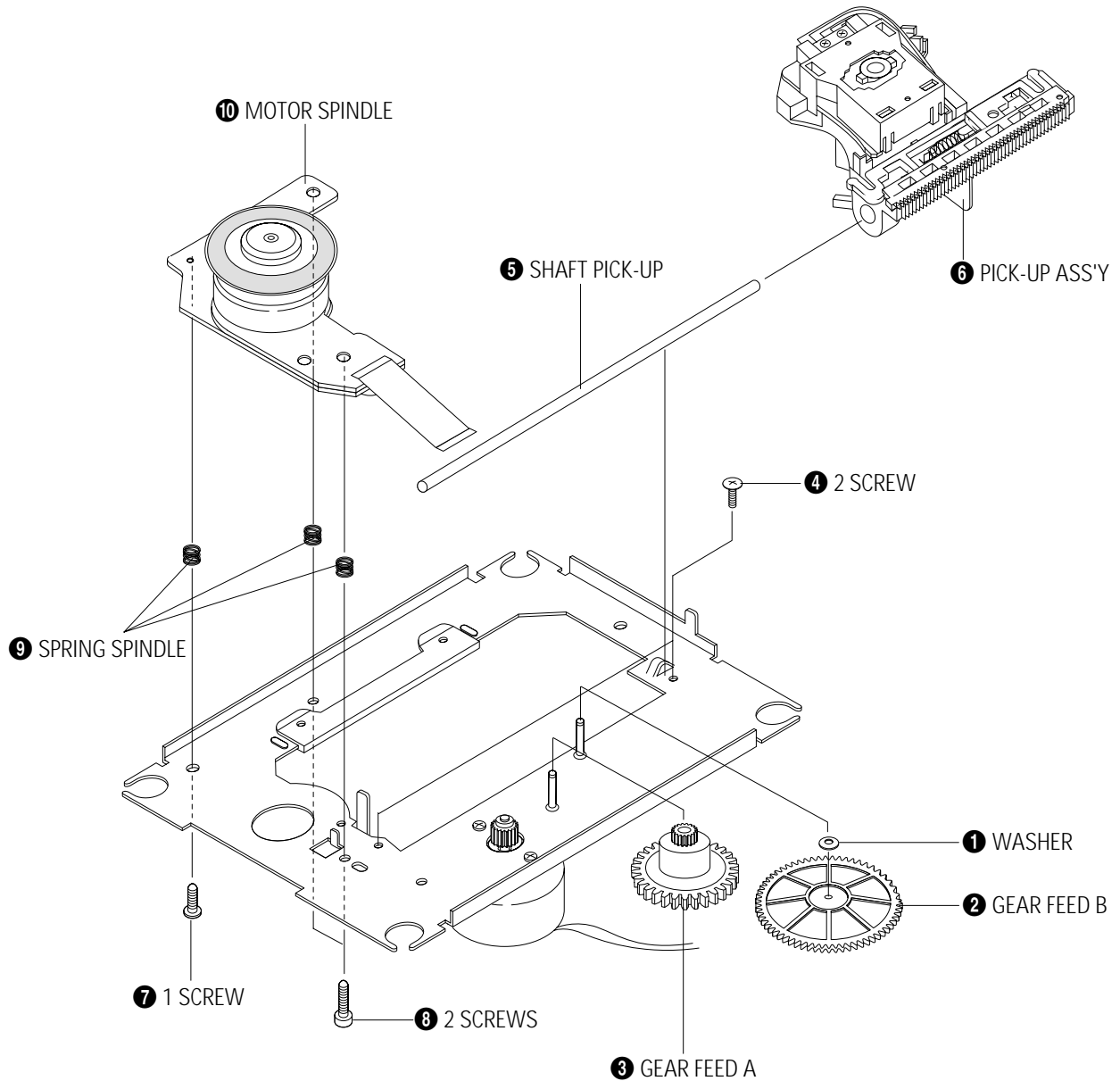
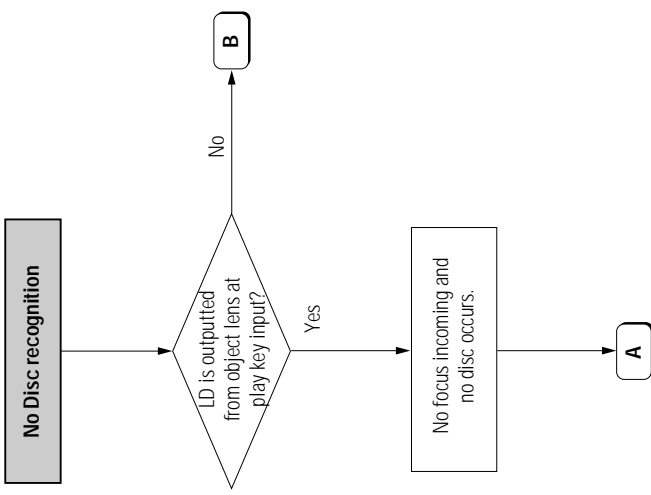
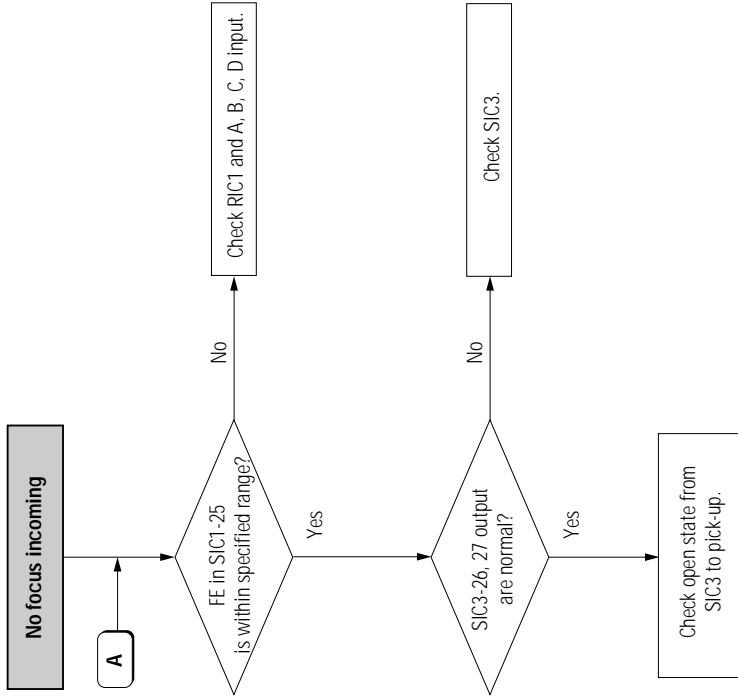
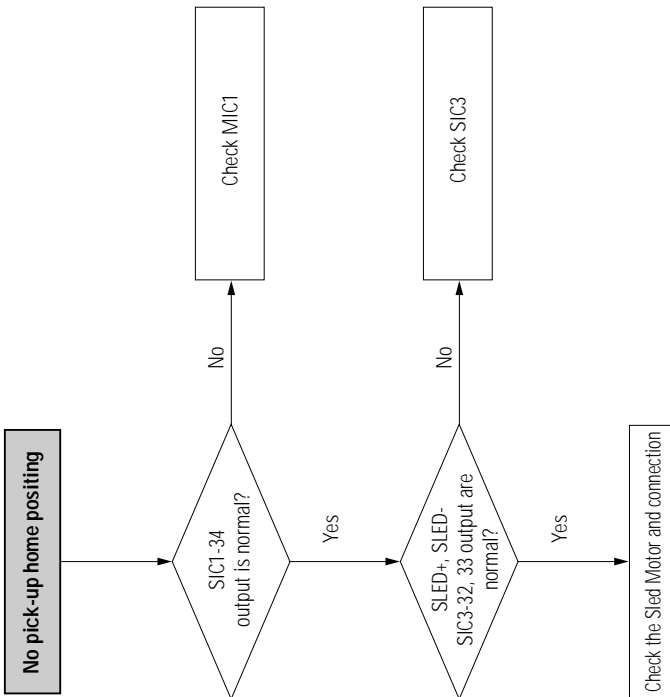
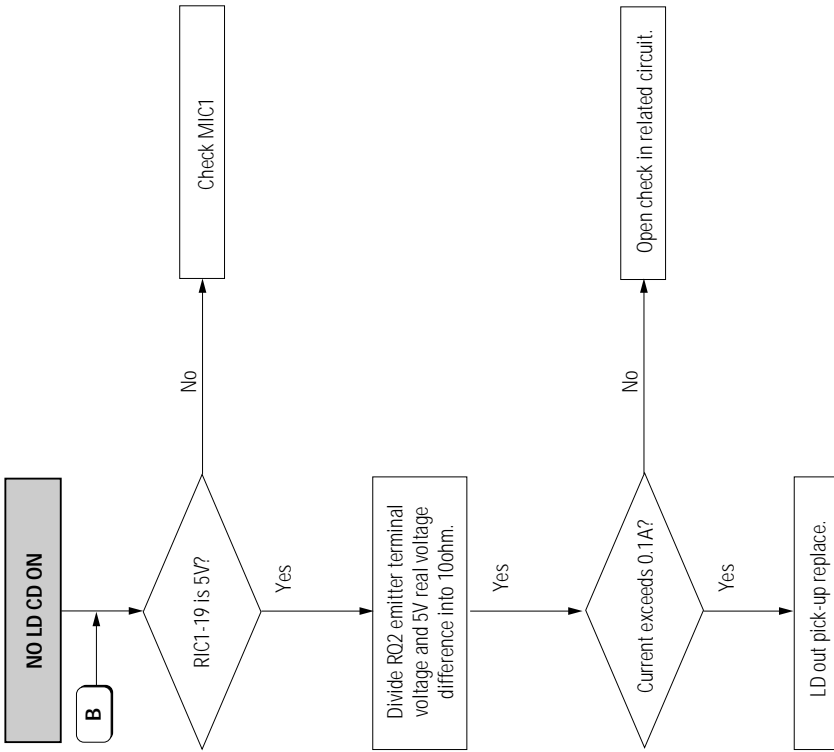


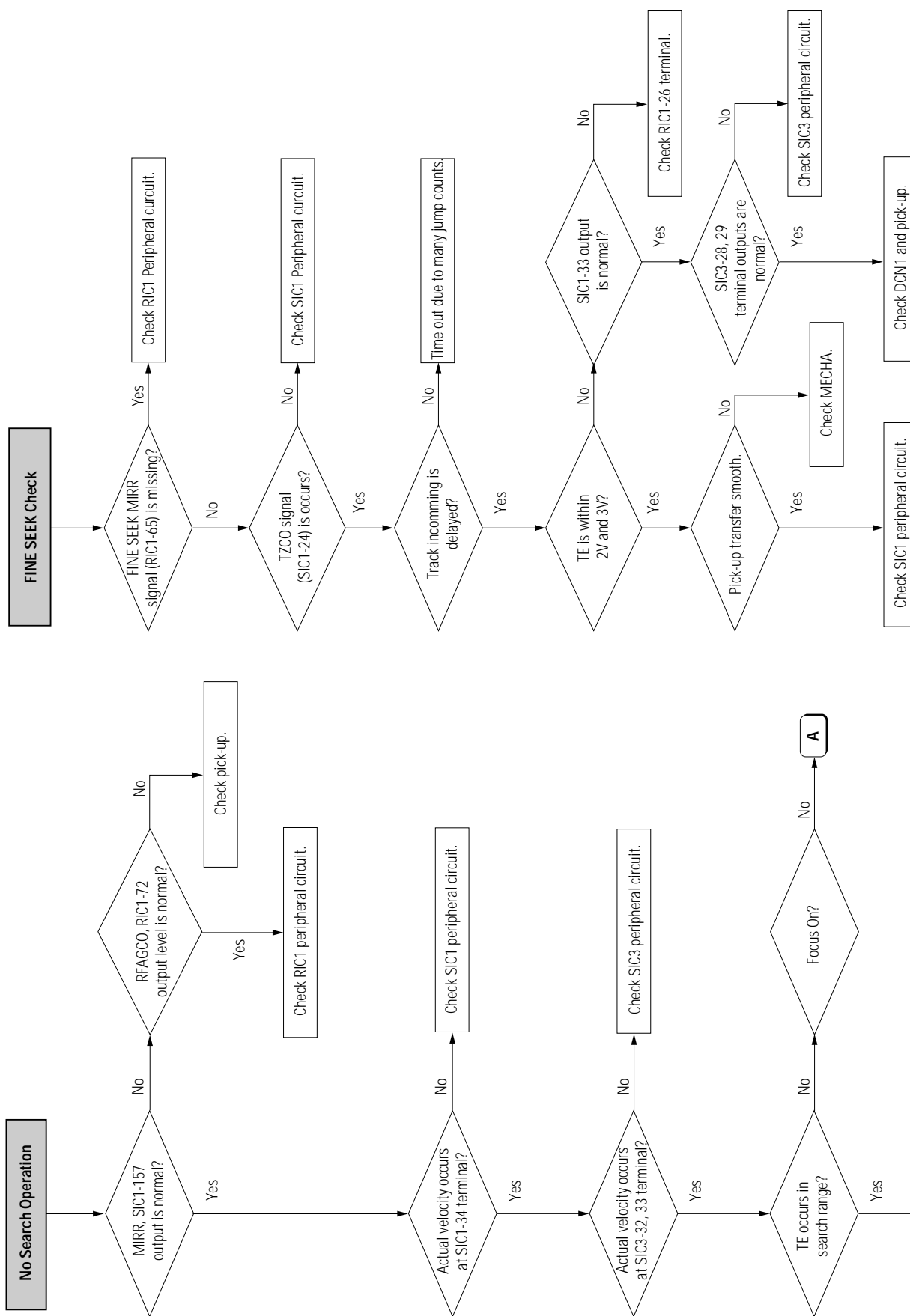
Fig. 2-14 Ass'y Brkt Deck Removal

# MEMO

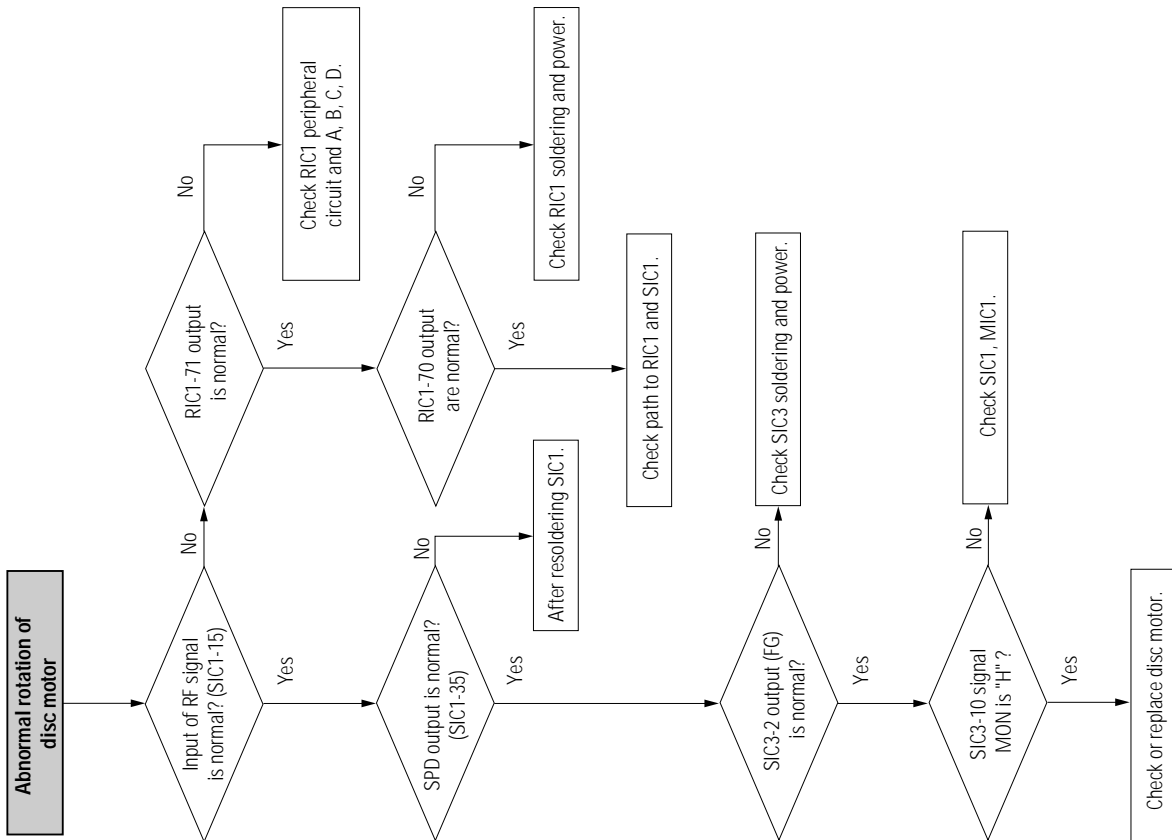
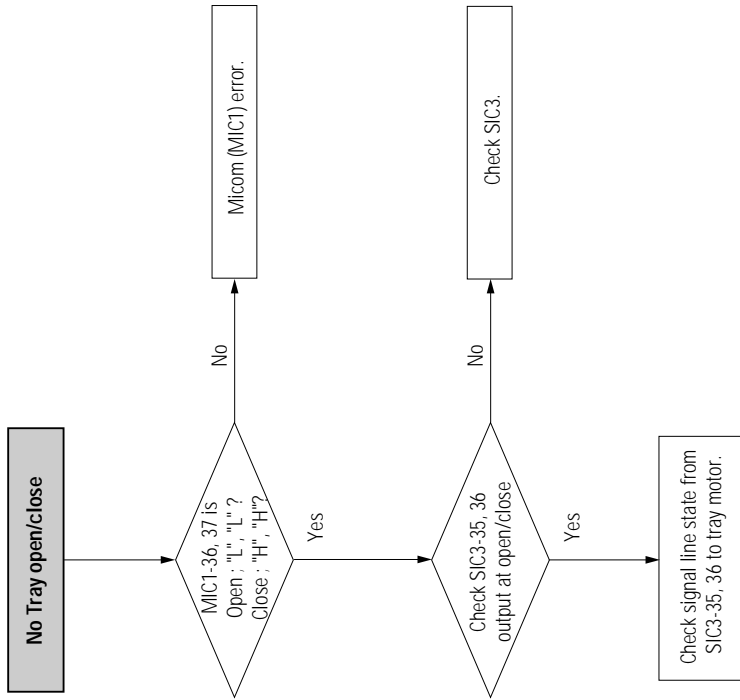
### 3. Troubleshooting

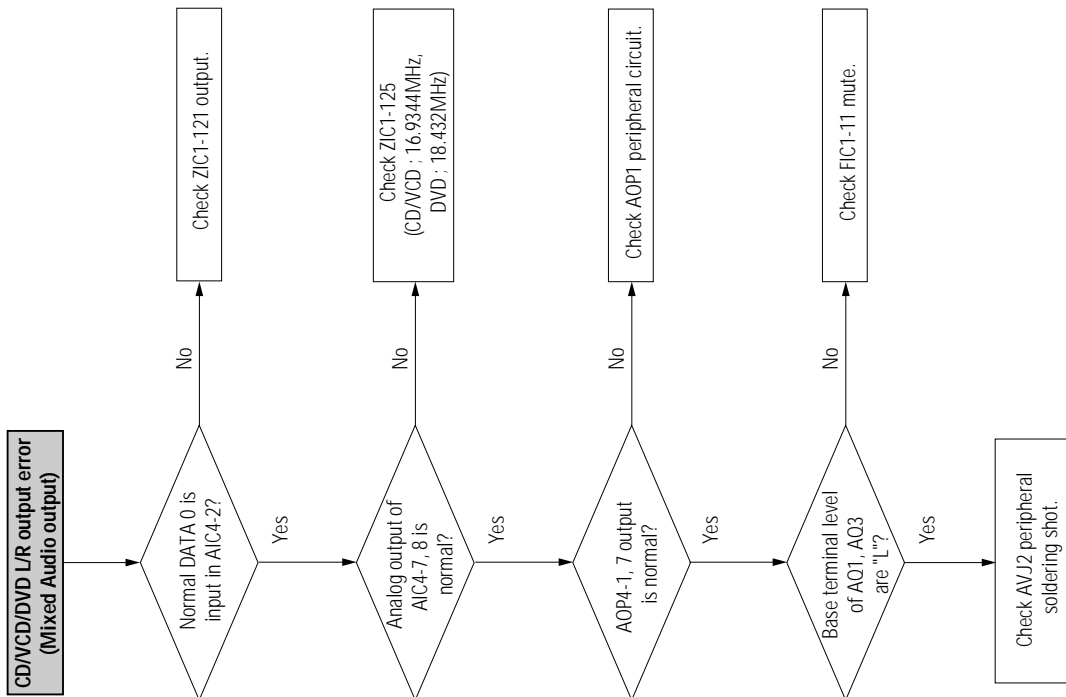
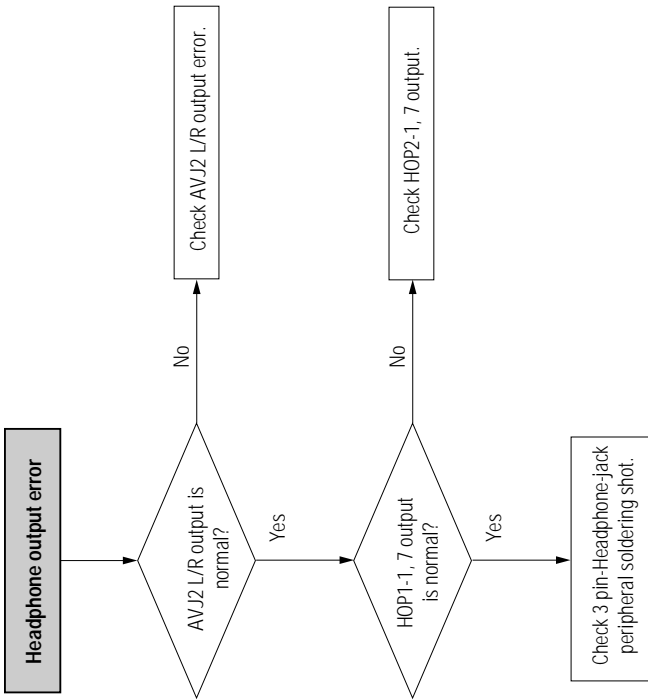


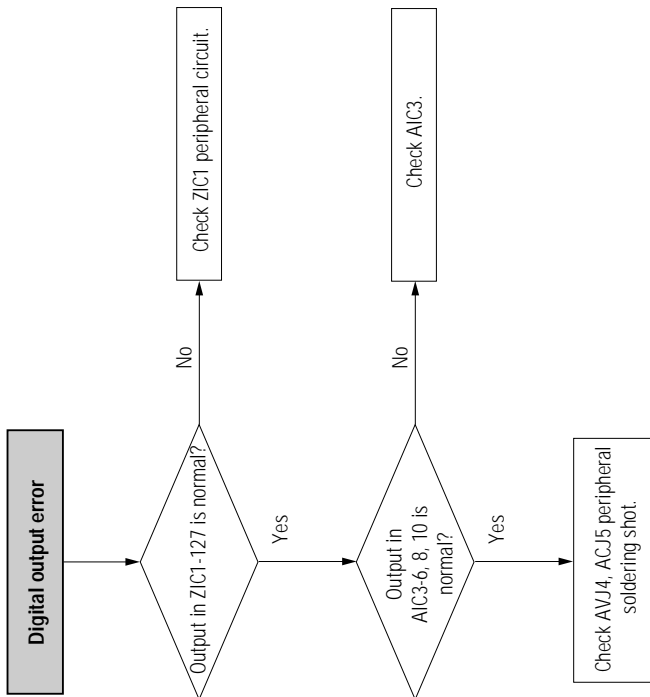
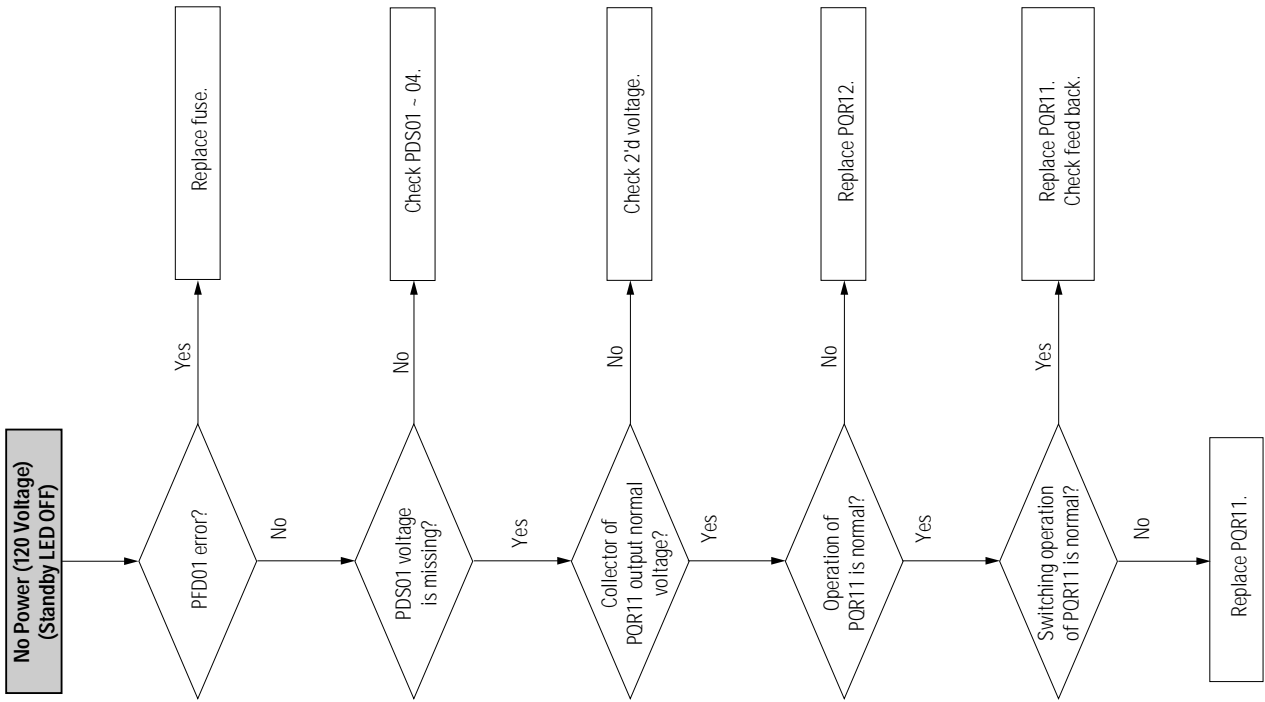


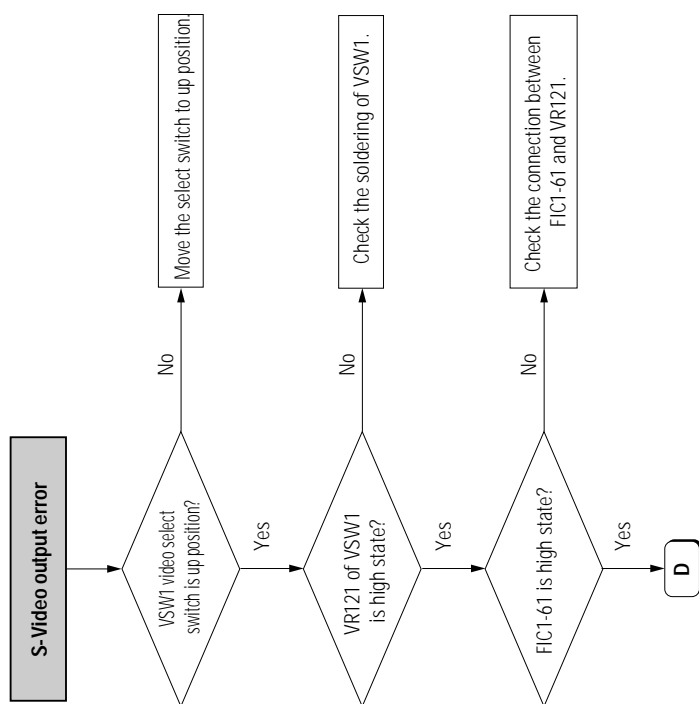
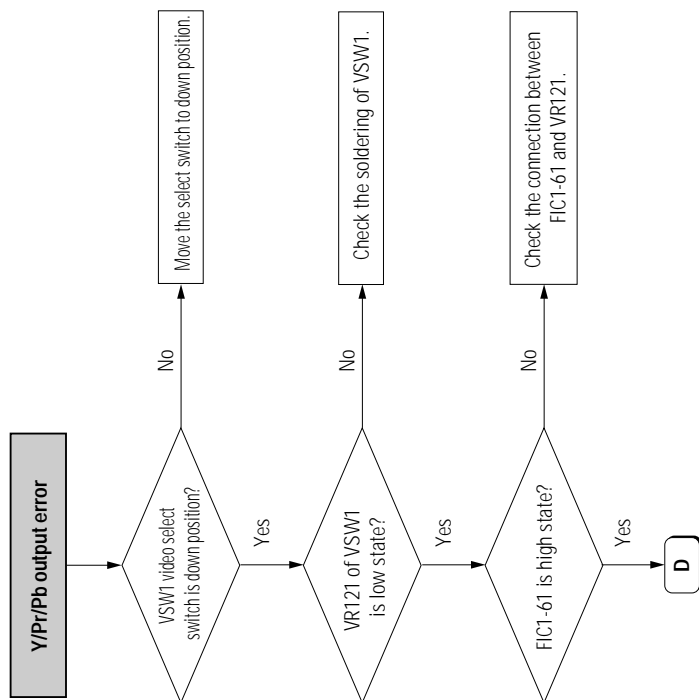


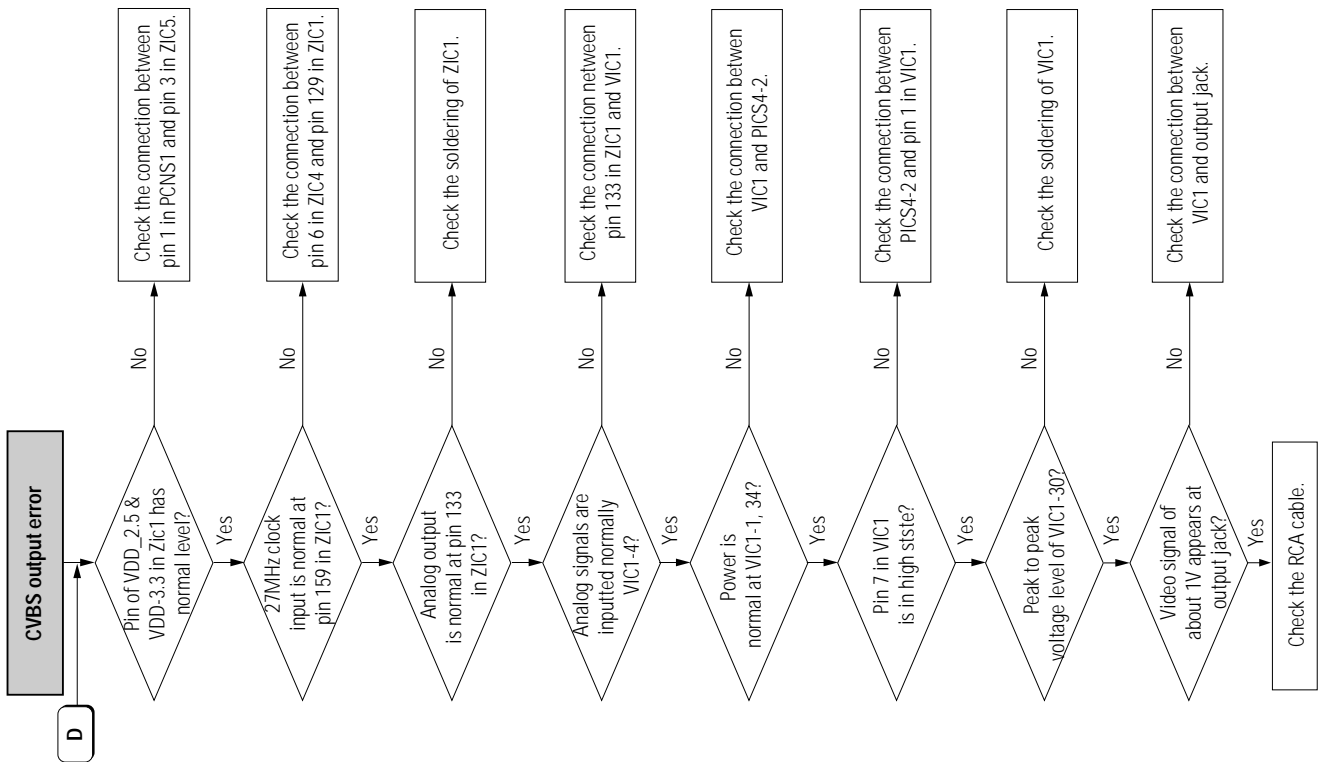












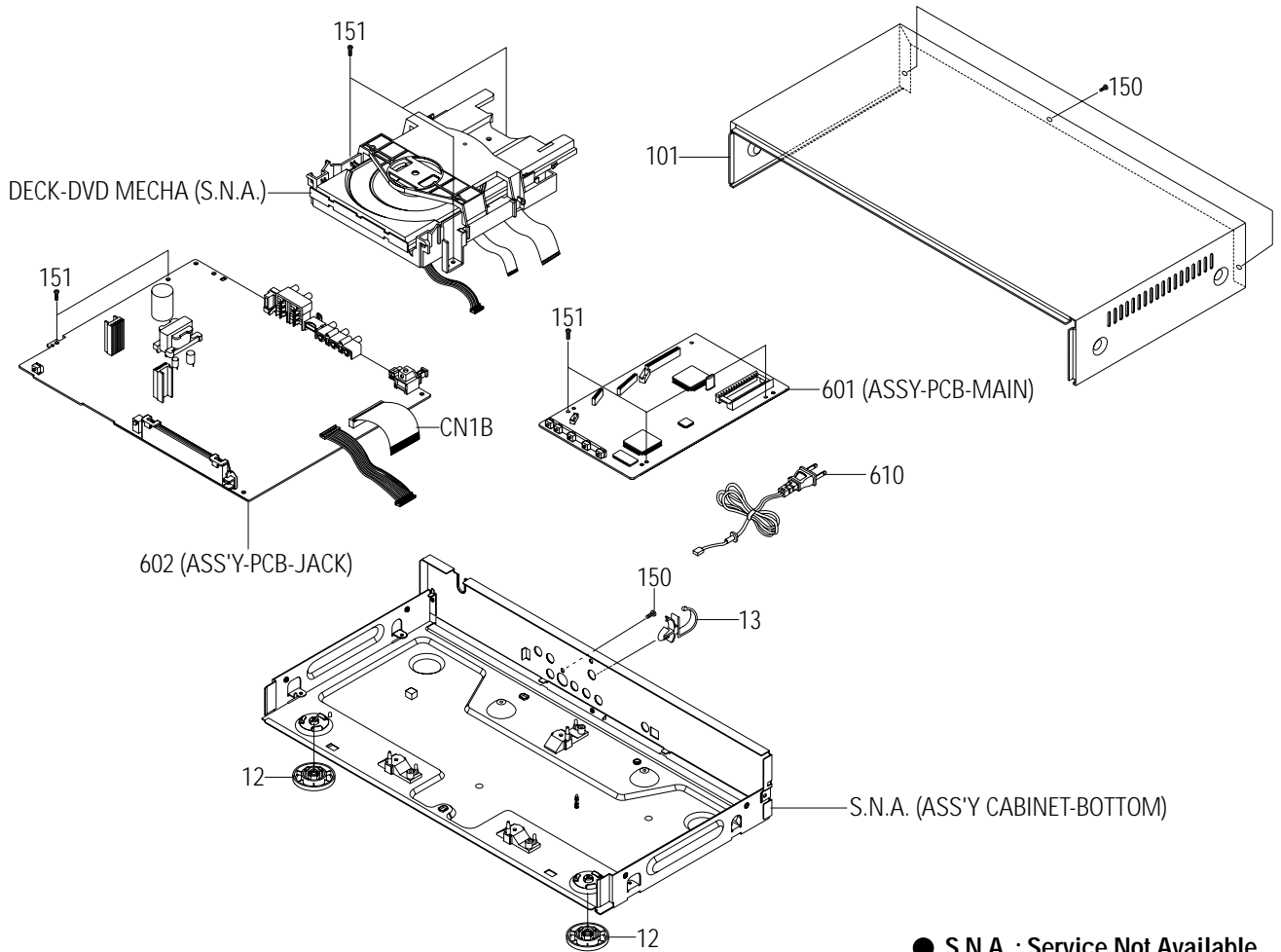
---

## 4. Exploded View and Parts List

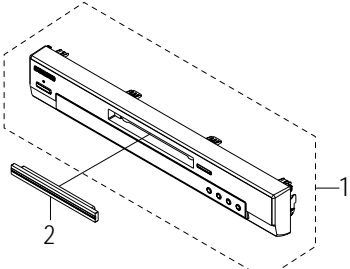
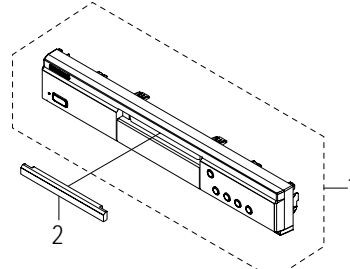
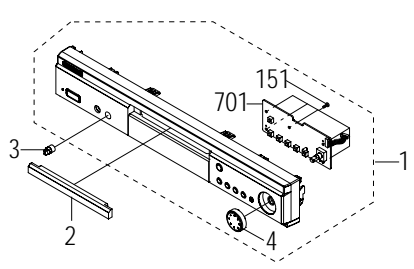


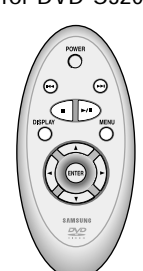
---

	Page
4-1 Cabinet Assembly - - - - -	4-2
4-2 Deck Assembly - - - - -	4-4

## 4-1 Cabinet Assembly



● S.N.A. : Service Not Available

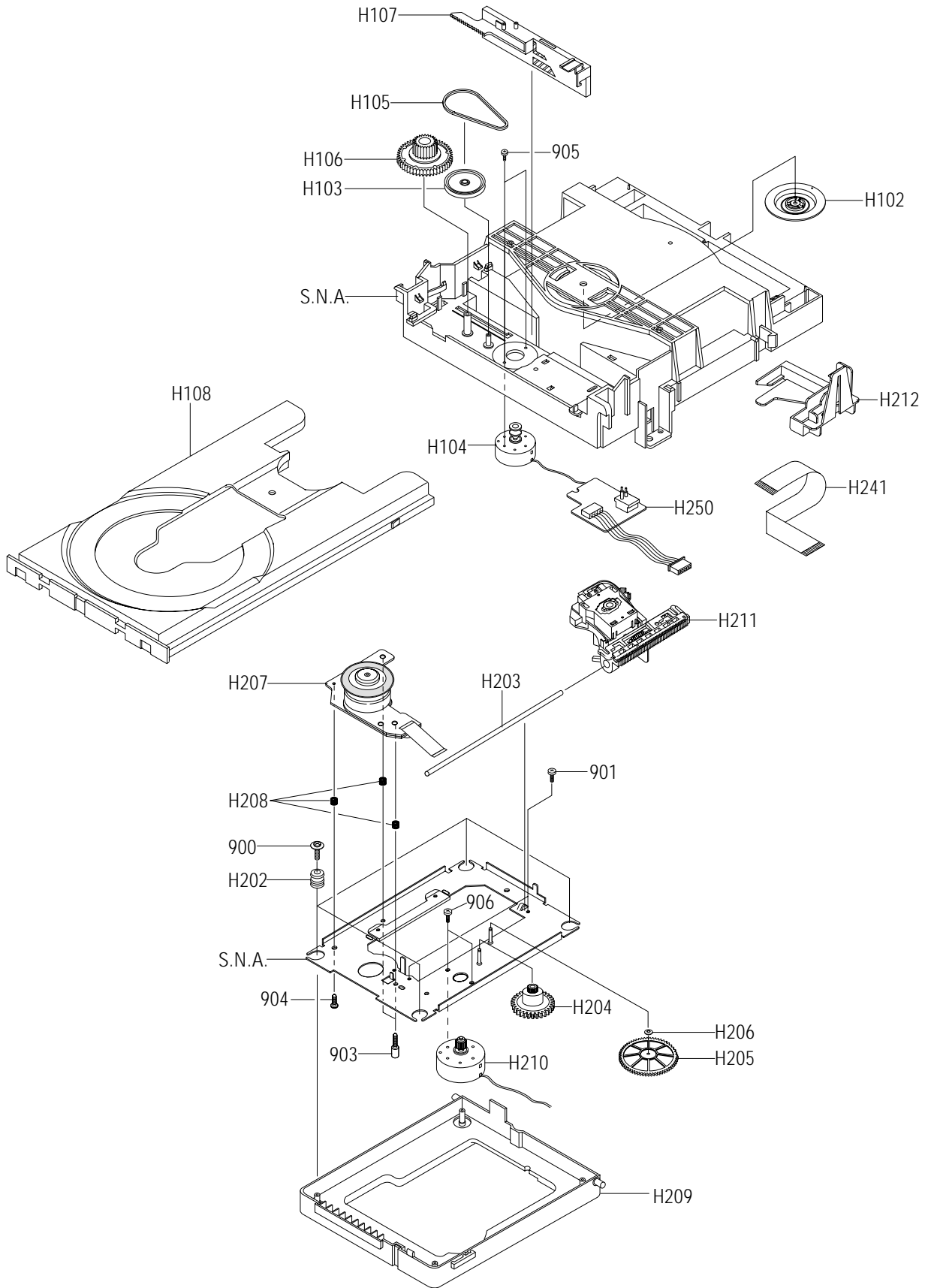
<p>DVD-S221</p> 	<p>DVD-S222/S320</p> 	<p>DVD-S321</p> 
<p>UT01</p>		<p>UT02</p>
<p>DVD-S221/S222/S320</p> 	<p>DVD-S321</p> 	<p>(Only for DVD-S320/S321)</p> 

Loc. No	Parts No.	Description ; Specification	Remark
1	Refer to table below	ASSY FRONT CABINET;ASSY,DVD-S221,XAA	
2	Refer to table below	ASSY-DOOR;ASSY,DVD-S221,XAA	
3	AH64-11306Z	KNOB-VOLUME;DV-P515E,ABS 94HB,-,-,-,-,SM	Only for DVD-S321
4	AH64-01679B	KNOB-JOG;DVD-S321,ABS 94HB,-,-,-,-,SILV	Only for DVD-S321
12	AH61-00534B	LEG-FRONT;DVD-M101,ABS 94HB,-,SILVER,4MR	Only for DVD-S321
13	AH65-00003A	CLAMP CORE;DVD-M101,NYLON 66,-,-,-,-	
101	AH64-00933B	CABINET-TOP;DVD-M301/XAA,PCM T0.65,-,-,-	
150	6003-000275	SCREW-TAPTITE;BH,+ ,B,M3,L10,BLK ,SWCH101	
151	6003-000276	SCREW-TAPTITE;BH,+ ,B,M3,L10,ZPC(YEL),SWC	
601	Refer to table below	ASSY PCB-MAIN;DVD-S221/XAA,MAIN PCB,USA,	
602	Refer to table below	ASSY PCB-JACK;DVD-S221/XAA,JACK ASS'Y, U	
610	AC39-10200N	POWER CORD;EP2,SPT-2,AWG#18,1.8MT,WAFER,	
CN1B	3809-001180	CABLE-FLAT;30V,-30to+80C,80mm,35P,1.25mm	
UT01	Refer to table below	REMOCON-ASS'Y;DVD-S221/XAA,-,-,-,-,-	
UT02	Refer to table below	REMOCON-ASS'Y;DVD-S321/XAA,-,-,-,-,-	Only for DVD-S320/S321

Models	1	2	601	602	UT01	UT02
DVD-S221	AH97-00938A	AH97-00943A	AH92-01364A	AH92-01365A	AH59-00092L	-
DVD-S222	AH97-00939B	AH97-00943G	AH92-01364A	AH92-01365A	AH59-00092L	-
DVD-S320	AH97-00939A	AH97-00943H	AH92-01364A	AH92-01365A	AH59-00092L	AH59-01043A
DVD-S321	AH97-00940A	AH97-00943H	AH92-01436A	AH92-01365C	AH59-00093N	AH59-01043A



## 4-2 Deck Assembly



Loc. No	Parts No.	Description ; Specification	Remark
900	6003-001157	SCREW-TAPTITE;PWH,+,B,M2,L6,ZPC(YEL),SWR	
901	6001-001522	SCREW-MACHINE;FH,+,M2.6,L7,ZPC(YEL),SWRC	
903	6009-001245	SCREW-SPECIAL;SWRCH18A,NYLOCK,SOCKET,HEX	
904	6001-001466	SCREW-MACHINE;BH,+,M2,L6,ZPC(BLK),SWRCH1	
905	6001-001257	SCREW-MACHINE;PWH,+,M1.7,L3,ZPC(YEL),SWR	
906	AH60-00010A	SCREW-MACHINE-MOTOR;-+,SWCH18AK,M1.7,L2	
H102	AH66-00111B	CLAMPER-ASSY;DP-5,POM+MAGNET,-,-,-,-,-,-,-	
H103	AH66-00123A	PULLEY-GEAR;DP-7,POM M90-44,-,-,-,-,-,-,-	
H104	AH31-00024A	MOTOR-LOAD ASSY;SM-2412L2,DP-7,-,-,-,-,-,-,-	
H105	6602-001076	BELT-RECTANGULAR;CR,T1.2,4.3%,1.2X25.1,B	
H106	AH66-00124A	GEAR-TRAY;DP-7,POM,M90-44,-,-,-,-,-,-,-	
H107	AH66-00125A	SLIDER-HOUSING;DP-7,POM,-,-,-,-,-,-,-	
H108	AH63-00217A	TRAY-DISC;-ABS,-,-,-,-,-,BLK,DP-7	
H202	AH73-00023A	RUBBER-INSULATOR;BUTYL RUBBER,-,DP-3,	
H203	AH61-50327A	SHAFT-P/U;DP-3,SUS420J2,L84.7,OD3,-,-,-,-	
H204	AH66-00075A	GEAR-FEED A;-POM M90-44,-,-,-,-,-,-,-,-	
H205	AH66-00170A	GEAR-FEED B;DP-7S,POM M90-44,0.5,14,-,-,-	
H206	AC60-30306A	WASHER-SLIT;-,-,ID2.1,OD5.0,T0.5,-,POLYS	
H207	AH31-00032A	MOTOR-SPINDLE ASSY;RSM-2610F1,DP-7S,-,-,-	
H208	AH61-00403A	SPRING ETC-SPINDLE;DP-5,SWPB,PI4.9,-,-,-,-	
H209	AH61-00513A	CHASSIS-SUB;DP-7,ABS(SR-0320),-,-,-,-,-,-,-	
H210	AH31-00016A	MOTOR-FEED ASSY;-,-,DP-5,-,-,-	
H211	AH97-00900A	ASSY-PICK-UP;-,-,SOH-DS2,ASSY-PICK-UP	
H212	AH61-00891A	HOLDER-FFC;DP-7S,PP1,-,-,-,-,NTR,-	
H241	3809-001303	CABLE-FLAT;30V,80C,230MM,24P,1MM,UL2896	
H250	AH92-00900A	ASSY-HOUSING PCB;DVD-M101,MILLENO DECK(B	

# MEMO

## 5. Electrical Parts List

Loc.No	Part No	Description ; Specification	Remark	Loc.No	Part No	Description ; Specification	Remark
601	AH92-01364A	ASSY PCB-MAIN;DVD-S221/XAA	DVD-S221/S222/S320 ONLY	MR27	2007-000084	R-CHIP:4.7Kohm,5%,1/16W,DA,TP,1608	
	AH92-01436A	ASSY PCB-MAIN;DVD-S321/XAA	DVD-S321 ONLY	MR28	2007-000084	R-CHIP:4.7Kohm,5%,1/16W,DA,TP,1608	
CN8	3708-001364	CONNECTOR-FPC/FFC/PIC:35P;1.25MM,STRAIGH		MR29	2007-000084	R-CHIP:4.7Kohm,5%,1/16W,DA,TP,1608	
DC1	2203-005148	C-CERAMIC,CHIP:100nF,10%,16V,X7R,TP,1608		MR3	2007-000084	R-CHIP:4.7Kohm,5%,1/16W,DA,TP,1608	
DC2	2203-005148	C-CERAMIC,CHIP:100nF,10%,16V,X7R,TP,1608		MR30	2007-000084	R-CHIP:4.7Kohm,5%,1/16W,DA,TP,1608	
DCN1	3708-001696	CONNECTOR-FPC/FFC/PIC:24P;1MM,STRAIHGT,S		MR31	2007-000084	R-CHIP:4.7Kohm,5%,1/16W,DA,TP,1608	
DCN2	3708-001695	CONNECTOR-FPC/FFC/PIC:13P;1MM,STRAIHGT,S		MR32	2007-000084	R-CHIP:4.7Kohm,5%,1/16W,DA,TP,1608	
DCN3	3711-001018	CONNECTOR-HEADER:BOX,5P;1R,2mm,STRAIGHT,		MR33	2007-000084	R-CHIP:4.7Kohm,5%,1/16W,DA,TP,1608	
DD1	0407-000116	DIODE-ARRAY:DAP202K,80V,100mA,CK2-3,SOT-		MR4	2007-000074	R-CHIP:100ohm,5%,1/16W,DA,TP,1608	
D01	0501-000341	TR-SMALL SIGNAL:KSC1623-L,NPN,200mW,SOT-		MR6	2007-000090	R-CHIP:10KOHM,5%,1/16W,DA,TP,1608	
D02	0501-000341	TR-SMALL SIGNAL:KSC1623-L,NPN,200mW,SOT-		MR7	2007-000090	R-CHIP:10KOHM,5%,1/16W,DA,TP,1608	
D03	0501-000341	TR-SMALL SIGNAL:KSC1623-L,NPN,200mW,SOT-		MR8	2007-000078	R-CHIP:1kohm,5%,1/16W,DA,TP,1608	
DR1	2007-000090	R-CHIP:10KOHM,5%,1/16W,DA,TP,1608		MR9	2007-000074	R-CHIP:100ohm,5%,1/16W,DA,TP,1608	
DR2	2007-000090	R-CHIP:10KOHM,5%,1/16W,DA,TP,1608		MY1	2802-001152	RESONATOR-CERAMIC:20MHZ 0.5%,TP5.5X3.5X	
DR3	2007-000075	R-CHIP:220ohm,5%,1/16W,DA,TP,1608		PC1	2203-000257	C-CERAMIC,CHIP:10nF,10%,50V,X7R,TP,1608	
DR4	2007-000090	R-CHIP:10KOHM,5%,1/16W,DA,TP,1608		PC2	2203-000257	C-CERAMIC,CHIP:10nF,10%,50V,X7R,TP,1608	
DR5	2007-000090	R-CHIP:10KOHM,5%,1/16W,DA,TP,1608		PC3	2203-000257	C-CERAMIC,CHIP:10nF,10%,50V,X7R,TP,1608	
DR6	2007-000075	R-CHIP:220ohm,5%,1/16W,DA,TP,1608		PC4	2203-000257	C-CERAMIC,CHIP:10nF,10%,50V,X7R,TP,1608	
DR7	2007-000116	R-CHIP:120ohm,5%,1/16W,DA,TP,1608		PC5	2203-005148	C-CERAMIC,CHIP:100nF,10%,16V,X7R,TP,1608	
DR8	2007-000116	R-CHIP:120ohm,5%,1/16W,DA,TP,1608		PC6	2203-005148	C-CERAMIC,CHIP:100nF,10%,16V,X7R,TP,1608	
MC1	2203-000257	C-CERAMIC,CHIP:10nF,10%,50V,X7R,TP,1608		PCN1	3711-001137	CONNECTOR-HEADER:BOX,8P;1R,2mm,STRAIGHT,	
MC11	2203-000626	C-CERAMIC,CHIP:0.022nF,5%,50V,NPO,TP,160		PE1	2401-002165	C-AL:100uF,20%,16V,GP,TP,6.3x7.5	
MC12	2203-000257	C-CERAMIC,CHIP:10nF,10%,50V,X7R,TP,1608		PE2	2401-002165	C-AL:100uF,20%,16V,GP,TP,6.3x7.5	
MC13	2203-000257	C-CERAMIC,CHIP:10nF,10%,50V,X7R,TP,1608		PE3	2401-002165	C-AL:100uF,20%,16V,GP,TP,6.3x7.5	
MC14	2203-000257	C-CERAMIC,CHIP:10nF,10%,50V,X7R,TP,1608		PE4	2401-002165	C-AL:100uF,20%,16V,GP,TP,6.3x7.5	
MC16	2203-000257	C-CERAMIC,CHIP:10nF,10%,50V,X7R,TP,1608		PE5	2401-002165	C-AL:100uF,20%,16V,GP,TP,6.3x7.5	
MC17	2203-000257	C-CERAMIC,CHIP:10nF,10%,50V,X7R,TP,1608		PIC1	1203-002178	IC-VOLTAGE REGULATOR:1563,SOP;7P,173MIL,	
MC18	2203-005148	C-CERAMIC,CHIP:100nF,10%,16V,X7R,TP,1608		R1	2007-000078	R-CHIP:1Kohm,5%,1/16W,DA,TP,1608	
MC19	2203-005148	C-CERAMIC,CHIP:100nF,10%,16V,X7R,TP,1608		R2	2007-000080	R-CHIP:2Kohm,5%,1/16W,DA,TP,1608	
MC2	2203-000257	C-CERAMIC,CHIP:10nF,10%,50V,X7R,TP,1608		R3	2007-000468	R-CHIP:1KOHM,5%,1/10W,DA,TP,2012	
MC20	2203-000257	C-CERAMIC,CHIP:10nF,10%,50V,X7R,TP,1608		R4	2007-000671	R-CHIP:2KOHM,5%,1/10W,DA,TP,2012	
MC3	2203-000626	C-CERAMIC,CHIP:0.022nF,5%,50V,NPO,TP,160		RC1	2203-000560	C-CERAMIC,CHIP:220nF,+80-20%,25V,Y5V,TP,	
MC4	2203-000426	C-CERAMIC,CHIP:0.018nF,5%,50V,NPO,TP,160		RC14	2203-005148	C-CERAMIC,CHIP:100nF,10%,16V,X7R,TP,1608	
MC5	2203-000426	C-CERAMIC,CHIP:0.018nF,5%,50V,NPO,TP,160		RC15	2203-005148	C-CERAMIC,CHIP:100nF,10%,16V,X7R,TP,1608	
MC6	2203-000257	C-CERAMIC,CHIP:10nF,10%,50V,X7R,TP,1608		RC16	2203-005148	C-CERAMIC,CHIP:100nF,10%,16V,X7R,TP,1608	
MC7	2203-000626	C-CERAMIC,CHIP:0.022nF,5%,50V,NPO,TP,160		RC17	2203-000975	C-CERAMIC,CHIP:47nF,10%,25V,X7R,TP,1608,	
MC8	2203-000257	C-CERAMIC,CHIP:10nF,10%,50V,X7R,TP,1608		RC18	2203-000975	C-CERAMIC,CHIP:47nF,10%,25V,X7R,TP,1608,	
MC9	2203-000257	C-CERAMIC,CHIP:10nF,10%,50V,X7R,TP,1608		RC19	2203-000560	C-CERAMIC,CHIP:220nF,+80-20%,25V,Y5V,TP,	
MIC1	0903-001271	IC-MICROCONTROLLER:91C829,16BIT,QFP;100P		RC2	2203-005148	C-CERAMIC,CHIP:100nF,10%,16V,X7R,TP,1608	
MIC2	3704-000472	SOCKET-IC:32PDIP,SN,2.54mm		RC20	2203-000236	C-CERAMIC,CHIP:0.1nF,5%,50V,NPO,TP,1608	
MIC2B	1102-001090	IC-EPROM:27C081,1MX8BIT,DIP;32P;600MIL,		RC21	2203-000560	C-CERAMIC,CHIP:220nF,+80-20%,25V,Y5V,TP,	
MIC4	1103-001204	IC-EEPROM:24C021,256x8BIT,SOP;8P;150MIL,		RC22	2203-005148	C-CERAMIC,CHIP:100nF,10%,16V,X7R,TP,1608	
MIC5	0801-002097	IC-CMOS LOGIC:7ST08,AND GATE,SOP;5P;110M		RC23	2203-005148	C-CERAMIC,CHIP:100nF,10%,16V,X7R,TP,1608	
MIC6	0801-002143	IC-CMOS LOGIC:7S32,OR GATE,SOT-23,5P;63M		RC24	2203-005148	C-CERAMIC,CHIP:100nF,10%,16V,X7R,TP,1608	
MIC7	0801-002517	IC-CMOS LOGIC:7SET00,NAND GATE,SOP;5P;63		RC26	2203-005148	C-CERAMIC,CHIP:100nF,10%,16V,X7R,TP,1608	
MR1	2007-000090	R-CHIP:10KOHM,5%,1/16W,DA,TP,1608		RC27	2203-005148	C-CERAMIC,CHIP:100nF,10%,16V,X7R,TP,1608	
MR10	2007-000074	R-CHIP:100ohm,5%,1/16W,DA,TP,1608		RC3	2203-005148	C-CERAMIC,CHIP:100nF,10%,16V,X7R,TP,1608	
MR11	2007-000074	R-CHIP:100ohm,5%,1/16W,DA,TP,1608		RC30	2203-000257	C-CERAMIC,CHIP:10nF,10%,50V,X7R,TP,1608	
MR13	2007-000074	R-CHIP:100ohm,5%,1/16W,DA,TP,1608		RC31	2203-000236	C-CERAMIC,CHIP:0.1nF,5%,50V,NPO,TP,1608	
MR14	2007-000074	R-CHIP:100ohm,5%,1/16W,DA,TP,1608		RC32	2203-005148	C-CERAMIC,CHIP:100nF,10%,16V,X7R,TP,1608	
MR15	2007-000074	R-CHIP:100ohm,5%,1/16W,DA,TP,1608		RC33	2203-000565	C-CERAMIC,CHIP:1000nF,+80-20%,10V,Y5V,TP	
MR16	2007-000090	R-CHIP:10KOHM,5%,1/16W,DA,TP,1608		RC34	2203-000440	C-CERAMIC,CHIP:1nF,10%,50V,X7R,TP,1608,-	
MR17	2007-000090	R-CHIP:10KOHM,5%,1/16W,DA,TP,1608		RC35	2203-005148	C-CERAMIC,CHIP:100nF,10%,16V,X7R,TP,1608	
MR18	2007-000090	R-CHIP:10KOHM,5%,1/16W,DA,TP,1608		RC37	2203-000236	C-CERAMIC,CHIP:0.1nF,5%,50V,NPO,TP,1608	
MR19	2007-000084	R-CHIP:4.7Kohm,5%,1/16W,DA,TP,1608		RC38	2203-000140	C-CERAMIC,CHIP:1.5nF,10%,50V,X7R,TP,1608	
MR2	2007-000074	R-CHIP:100ohm,5%,1/16W,DA,TP,1608		RC4	2203-005148	C-CERAMIC,CHIP:100nF,10%,16V,X7R,TP,1608	
MR20	2007-000084	R-CHIP:4.7Kohm,5%,1/16W,DA,TP,1608		RC41	2203-005148	C-CERAMIC,CHIP:100nF,10%,16V,X7R,TP,1608	
MR21	2007-000084	R-CHIP:4.7Kohm,5%,1/16W,DA,TP,1608		RC5	2203-005148	C-CERAMIC,CHIP:100nF,10%,16V,X7R,TP,1608	
MR23	2007-000090	R-CHIP:10KOHM,5%,1/16W,DA,TP,1608		RC50	2203-001607	C-CERAMIC,CHIP:0.22nF,5%,50V,NPO,TP,1608	
MR25	2007-000090	R-CHIP:10KOHM,5%,1/16W,DA,TP,1608		RC6	2203-005148	C-CERAMIC,CHIP:100nF,10%,16V,X7R,TP,1608	
MR26	2007-000084	R-CHIP:4.7Kohm,5%,1/16W,DA,TP,1608		RC7	2203-005148	C-CERAMIC,CHIP:100nF,10%,16V,X7R,TP,1608	

Electrical Parts List

Loc.No	Part No	Description ; Specification	Remark	Loc.No	Part No	Description ; Specification	Remark
RC8	2203-005148	C-CERAMIC,CHIP:100nf,10%,16V,X7R,TP,1608		SC37	2203-000257	C-CERAMIC,CHIP:10nf,10%,50V,X7R,TP,1608	
RE1	2401-000414	C-AL:10uf,20%,16V,GP,TP,4x7,5		SC38	2203-000257	C-CERAMIC,CHIP:10nf,10%,50V,X7R,TP,1608	
RE10	2401-000913	C-AL:22uf,20%,16V,GP,TP,5x11,5		SC39	2203-000626	C-CERAMIC,CHIP:0.022nf,5%,50V,NPO,TP,160	
RE12	2401-000913	C-AL:22uf,20%,16V,GP,TP,5x11,5		SC40	2203-000626	C-CERAMIC,CHIP:0.022nf,5%,50V,NPO,TP,160	
RE13	2401-000414	C-AL:10uf,20%,16V,GP,TP,4x7,5		SC41	2203-000626	C-CERAMIC,CHIP:0.022nf,5%,50V,NPO,TP,160	
RE14	2401-000414	C-AL:10uf,20%,16V,GP,TP,4x7,5		SC42	2203-000257	C-CERAMIC,CHIP:10nf,10%,50V,X7R,TP,1608	
RE22	2401-000414	C-AL:10uf,20%,16V,GP,TP,4x7,5		SC43	2203-000626	C-CERAMIC,CHIP:0.022nf,5%,50V,NPO,TP,160	
RE29	2401-000414	C-AL:10uf,20%,16V,GP,TP,4x7,5		SC44	2203-000257	C-CERAMIC,CHIP:10nf,10%,50V,X7R,TP,1608	
RE39	2401-000414	C-AL:10uf,20%,16V,GP,TP,4x7,5		SC45	2203-005148	C-CERAMIC,CHIP:100nf,10%,16V,X7R,TP,1608	
RE40	2401-002165	C-AL:100uf,20%,16V,GP,TP,6.3x7,5		SC46	2203-000257	C-CERAMIC,CHIP:10nf,10%,50V,X7R,TP,1608	
RE41	2401-000414	C-AL:10uf,20%,16V,GP,TP,4x7,5		SC47	2203-000257	C-CERAMIC,CHIP:10nf,10%,50V,X7R,TP,1608	
RIC1	AH13-00009A	IC ASIC:KS1462B,DVD-M201/XAA,80,+5V,-4		SC48	2203-000257	C-CERAMIC,CHIP:10nf,10%,50V,X7R,TP,1608	
RL11	3301-000314	CORE-FERRITE BEAD:AB,120ohm,1.6x0.8x0.8mm		SC49	2203-005148	C-CERAMIC,CHIP:100nf,10%,16V,X7R,TP,1608	
RL3	2703-000398	INDUCTOR-SMD:10uH,10%,3.2x2.5x2.2mm		SC50	2203-005148	C-CERAMIC,CHIP:100nf,10%,16V,X7R,TP,1608	
RQ1	0501-000279	TR-SMALL SIGNAL:KSA1182-Y,PNP,150mW,SOT-		SC51	2203-005148	C-CERAMIC,CHIP:100nf,10%,16V,X7R,TP,1608	
RQ2	0501-000279	TR-SMALL SIGNAL:KSA1182-Y,PNP,150mW,SOT-		SC52	2203-005148	C-CERAMIC,CHIP:100nf,10%,16V,X7R,TP,1608	
RR1	2007-000091	R-CHIP:12Kohm,5%,1/16W,DA,TP,1608		SC54	2203-001222	C-CERAMIC,CHIP:820pf,10%,50V,X7R,TP,1608	
RR10	2007-000312	R-CHIP:100HM,5%,1/8W,DA,TP,3216		SC55	2203-005148	C-CERAMIC,CHIP:100nf,10%,16V,X7R,TP,1608	
RR12	2007-000102	R-CHIP:100Kohm,5%,1/16W,DA,TP,1608		SC56	2203-005148	C-CERAMIC,CHIP:100nf,10%,16V,X7R,TP,1608	
RR13	2007-000102	R-CHIP:100Kohm,5%,1/16W,DA,TP,1608		SC57	2203-005148	C-CERAMIC,CHIP:100nf,10%,16V,X7R,TP,1608	
RR14	2007-000091	R-CHIP:12Kohm,5%,1/16W,DA,TP,1608		SC58	2203-005148	C-CERAMIC,CHIP:100nf,10%,16V,X7R,TP,1608	
RR15	2007-000090	R-CHIP:10KOHM,5%,1/16W,DA,TP,1608		SC59	2203-005148	C-CERAMIC,CHIP:100nf,10%,16V,X7R,TP,1608	
RR16	2007-000078	R-CHIP:1Kohm,5%,1/16W,DA,TP,1608		SC60	2203-005148	C-CERAMIC,CHIP:100nf,10%,16V,X7R,TP,1608	
RR2	2007-000091	R-CHIP:12Kohm,5%,1/16W,DA,TP,1608		SC61	2203-005148	C-CERAMIC,CHIP:100nf,10%,16V,X7R,TP,1608	
RR21	2007-000091	R-CHIP:12Kohm,5%,1/16W,DA,TP,1608		SC62	2203-005148	C-CERAMIC,CHIP:100nf,10%,16V,X7R,TP,1608	
RR22	2007-000091	R-CHIP:12Kohm,5%,1/16W,DA,TP,1608		SC63	2203-005148	C-CERAMIC,CHIP:100nf,10%,16V,X7R,TP,1608	
RR23	2007-000655	R-CHIP:27Kohm,5%,1/16W,DA,TP,1608		SC7	2203-001222	C-CERAMIC,CHIP:820pf,10%,50V,X7R,TP,1608	
RR24	2007-000134	R-CHIP:33Kohm,5%,1/16W,DA,TP,1608		SC8	2203-005148	C-CERAMIC,CHIP:100nf,10%,16V,X7R,TP,1608	
RR25	2007-000070	R-CHIP:0ohm,5%,1/16W,DA,TP,1608		SC9	2203-005148	C-CERAMIC,CHIP:100nf,10%,16V,X7R,TP,1608	
RR26	2007-000102	R-CHIP:100Kohm,5%,1/16W,DA,TP,1608		SC90	2203-000975	C-CERAMIC,CHIP:47nf,10%,25V,X7R,TP,1608,	
RR3	2007-000091	R-CHIP:12Kohm,5%,1/16W,DA,TP,1608		SE1	2401-002165	C-AL:100uf,20%,16V,GP,TP,6.3x7,5	
RR32	2007-000102	R-CHIP:100Kohm,5%,1/16W,DA,TP,1608		SE10	2401-002144	C-AL:47uf,20%,16V,GP,TP,5x11,5	
RR33	2007-000102	R-CHIP:100Kohm,5%,1/16W,DA,TP,1608		SE11	2401-000414	C-AL:10uf,20%,16V,GP,TP,4x7,5	
RR34	2007-000087	R-CHIP:6.8Kohm,5%,1/16W,DA,TP,1608		SE2	2401-000414	C-AL:10uf,20%,16V,GP,TP,4x7,5	
RR36	2007-001235	R-CHIP:910Kohm,5%,1/16W,DA,TP,1608		SE3	2401-000414	C-AL:10uf,20%,16V,GP,TP,4x7,5	
RR4	2007-001179	R-CHIP:8.2Kohm,5%,1/16W,DA,TP,1608		SE4	2401-000414	C-AL:10uf,20%,16V,GP,TP,4x7,5	
RR6	2007-000082	R-CHIP:3.3Kohm,5%,1/16W,DA,TP,1608		SE6	2401-001225	C-AL:4.7uf,20%,16V,GP,TP,3x5,5	
RR7	2007-000077	R-CHIP:470ohm,5%,1/16W,DA,TP,1608		SE7	2401-001225	C-AL:4.7uf,20%,16V,GP,TP,3x5,5	
RR8	2007-000312	R-CHIP:100HM,5%,1/8W,DA,TP,3216		SE8	2401-001225	C-AL:4.7uf,20%,16V,GP,TP,3x5,5	
RR9	2007-000077	R-CHIP:470ohm,5%,1/16W,DA,TP,1608		SE9	2401-002144	C-AL:47uf,20%,16V,GP,TP,5x11,5	
SC10	2203-001634	C-CERAMIC,CHIP:33nf,10%,50V,X7R,TP,1608,		SIC1	AH13-00006A	IC ASIC:KS1454,DVD-611/XAA,160,+3.3V,+	
SC11	2203-000715	C-CERAMIC,CHIP:3.3nf,10%,50V,X7R,TP,1608		SIC2	1105-001243	IC-DRAM:416C256,256KX16BIT,SOJ,40P,400	
SC12	2203-000140	C-CERAMIC,CHIP:1.5nf,10%,50V,X7R,TP,1608		SIC3	1003-001298	IC-MOTOR DRIVER:KA3017,HQFP,48P,550MIL,1	
SC13	2203-001652	C-CERAMIC,CHIP:470nf,+80-20%,16V,Y5V,TP,		SIC4	0801-002097	IC-CMOS LOGIC:7ST08,AND GATE,SOP5P,110M	
SC14	2203-000257	C-CERAMIC,CHIP:10nf,10%,50V,X7R,TP,1608		SQ1	0504-000156	TR-DIGITAL:KSR2103,PNP,200MW,22K/22K,SOT	
SC15	2203-005148	C-CERAMIC,CHIP:100nf,10%,16V,X7R,TP,1608		SR1	2007-000381	R-CHIP:13Kohm,5%,1/16W,DA,TP,1608	
SC16	2203-002398	C-CERAMIC,CHIP:22nf,10%,50V,X7R,TP,1608		SR14	2007-000078	R-CHIP:1Kohm,5%,1/16W,DA,TP,1608	
SC17	2203-001126	C-CERAMIC,CHIP:0.68nf,10%,50V,X7R,TP,160		SR15	2007-000090	R-CHIP:10KOHM,5%,1/16W,DA,TP,1608	
SC18	2203-005148	C-CERAMIC,CHIP:100nf,10%,16V,X7R,TP,1608		SR16	2007-000133	R-CHIP:330Kohm,5%,1/16W,DA,TP,1608	
SC19	2203-002398	C-CERAMIC,CHIP:22nf,10%,50V,X7R,TP,1608		SR18	2007-000102	R-CHIP:100Kohm,5%,1/16W,DA,TP,1608	
SC2	2203-005148	C-CERAMIC,CHIP:100nf,10%,16V,X7R,TP,1608		SR19	2007-000091	R-CHIP:12Kohm,5%,1/16W,DA,TP,1608	
SC20	2203-005148	C-CERAMIC,CHIP:100nf,10%,16V,X7R,TP,1608		SR20	2007-001235	R-CHIP:910Kohm,5%,1/16W,DA,TP,1608	
SC21	2203-005148	C-CERAMIC,CHIP:100nf,10%,16V,X7R,TP,1608		SR21	2007-000092	R-CHIP:15Kohm,5%,1/16W,DA,TP,1608	
SC23	2203-000491	C-CERAMIC,CHIP:2.2nf,10%,50V,X7R,TP,1608		SR23	2007-000091	R-CHIP:12Kohm,5%,1/16W,DA,TP,1608	
SC24	2203-000491	C-CERAMIC,CHIP:2.2nf,10%,50V,X7R,TP,1608		SR24	2007-000091	R-CHIP:12Kohm,5%,1/16W,DA,TP,1608	
SC25	2203-000372	C-CERAMIC,CHIP:15nf,10%,50V,X7R,TP,1608,		SR25	2007-000093	R-CHIP:20Kohm,5%,1/16W,DA,TP,1608	
SC26	2203-000372	C-CERAMIC,CHIP:15nf,10%,50V,X7R,TP,1608,		SR26	2007-000092	R-CHIP:15Kohm,5%,1/16W,DA,TP,1608	
SC27	2203-000257	C-CERAMIC,CHIP:10nf,10%,50V,X7R,TP,1608		SR27	2007-000092	R-CHIP:15Kohm,5%,1/16W,DA,TP,1608	
SC28	2203-000257	C-CERAMIC,CHIP:10nf,10%,50V,X7R,TP,1608		SR29	2007-000124	R-CHIP:2.2Kohm,5%,1/16W,DA,TP,1608	
SC29	2203-000257	C-CERAMIC,CHIP:10nf,10%,50V,X7R,TP,1608		SR30	2007-000124	R-CHIP:2.2Kohm,5%,1/16W,DA,TP,1608	
SC30	2203-000257	C-CERAMIC,CHIP:10nf,10%,50V,X7R,TP,1608		SR31	2007-000124	R-CHIP:2.2Kohm,5%,1/16W,DA,TP,1608	
SC32	2203-000257	C-CERAMIC,CHIP:10nf,10%,50V,X7R,TP,1608		SR32	2007-000124	R-CHIP:2.2Kohm,5%,1/16W,DA,TP,1608	
SC33	2203-000681	C-CERAMIC,CHIP:0.027nf,5%,50V,NPO,TP,160		SR4	2007-000078	R-CHIP:1Kohm,5%,1/16W,DA,TP,1608	
SC34	2203-000681	C-CERAMIC,CHIP:0.027nf,5%,50V,NPO,TP,160		SR40	2007-000078	R-CHIP:1Kohm,5%,1/16W,DA,TP,1608	
SC35	2203-000257	C-CERAMIC,CHIP:10nf,10%,50V,X7R,TP,1608		SR44	2007-000109	R-CHIP:1Mohm,5%,1/16W,DA,TP,1608	
SC36	2203-000257	C-CERAMIC,CHIP:10nf,10%,50V,X7R,TP,1608		SR48	2007-000078	R-CHIP:1Kohm,5%,1/16W,DA,TP,1608	

Loc.No	Part No	Description ; Specification	Remark	Loc.No	Part No	Description ; Specification	Remark
SR49	2007-000074	R-CHIP:100ohm,5%,1/16W,DA,TP,1608		ZC66	2203-000260	C-CERAMIC,CHIP:10nF,10%,50V,X7R,TP,2012	
SR50	2007-000074	R-CHIP:100ohm,5%,1/16W,DA,TP,1608		ZC67	2203-000260	C-CERAMIC,CHIP:10nF,10%,50V,X7R,TP,2012	
SR51	2007-000074	R-CHIP:100ohm,5%,1/16W,DA,TP,1608		ZC68	2203-000260	C-CERAMIC,CHIP:10nF,10%,50V,X7R,TP,2012	
SR55	2007-000074	R-CHIP:100ohm,5%,1/16W,DA,TP,1608		ZC69	2203-000257	C-CERAMIC,CHIP:10nF,10%,50V,X7R,TP,1608	
SR56	2007-000074	R-CHIP:100ohm,5%,1/16W,DA,TP,1608		ZC7	2203-000257	C-CERAMIC,CHIP:10nF,10%,50V,X7R,TP,1608	
SR57	2007-000075	R-CHIP:220ohm,5%,1/16W,DA,TP,1608		ZC70	2203-000257	C-CERAMIC,CHIP:10nF,10%,50V,X7R,TP,1608	
SR58	2007-000082	R-CHIP:3.3Kohm,5%,1/16W,DA,TP,1608		ZC78	2203-000626	C-CERAMIC,CHIP:0.022nF,5%,50V,NPO,TP,160	
SR59	2007-000087	R-CHIP:6.8Kohm,5%,1/16W,DA,TP,1608		ZC8	2203-000257	C-CERAMIC,CHIP:10nF,10%,50V,X7R,TP,1608	
SR60	2007-000082	R-CHIP:3.3Kohm,5%,1/16W,DA,TP,1608		ZC81	2203-000815	C-CERAMIC,CHIP:0.033nF,5%,50V,NPO,TP,160	
SR61	2007-000107	R-CHIP:470Kohm,5%,1/16W,DA,TP,1608		ZC82	2203-000815	C-CERAMIC,CHIP:0.033nF,5%,50V,NPO,TP,160	
SR67	2007-000034	R-CHIP:10HM,5%,1/4W,DA,TP,3216		ZC83	2203-000815	C-CERAMIC,CHIP:0.033nF,5%,50V,NPO,TP,160	
SR68	2007-000034	R-CHIP:10HM,5%,1/4W,DA,TP,3216		ZC84	2203-000815	C-CERAMIC,CHIP:0.033nF,5%,50V,NPO,TP,160	
SR69	2007-000655	R-CHIP:27Kohm,5%,1/16W,DA,TP,1608		ZC9	2203-000257	C-CERAMIC,CHIP:10nF,10%,50V,X7R,TP,1608	
SR70	2007-000090	R-CHIP:10KOHM,5%,1/16W,DA,TP,1608		ZD1	0402-000309	DIODE-RECTIFIER:1SR154-400,400V,1A,SOD-1	
SR71	2007-000090	R-CHIP:10KOHM,5%,1/16W,DA,TP,1608		ZE30	2401-002165	C-AL:100uF,20%,16V,GP,TP,6.3x7.5	
SR72	2007-000090	R-CHIP:10KOHM,5%,1/16W,DA,TP,1608		ZE34	2401-000414	C-AL:10uF,20%,16V,GP,TP,4x7.5	
SR73	2007-000090	R-CHIP:10KOHM,5%,1/16W,DA,TP,1608		ZE36	2401-000414	C-AL:10uF,20%,16V,GP,TP,4x7.5	
SR74	2007-000084	R-CHIP:4.7Kohm,5%,1/16W,DA,TP,1608		ZE37	2401-000414	C-AL:10uF,20%,16V,GP,TP,4x7.5	
SR75	2007-000093	R-CHIP:20Kohm,5%,1/16W,DA,TP,1608		ZIC1	1204-001673	IC-DECODER:Z1VA4.1,QFP,208P,1100MIL,PLAS	
SR76	2007-000093	R-CHIP:20Kohm,5%,1/16W,DA,TP,1608		ZIC2	1105-001305	IC-DRAM:4S641632,1Mx16x4Bit,TSOP,54P,4	
SR77	2007-000092	R-CHIP:15Kohm,5%,1/16W,DA,TP,1608		ZIC4	AH14-10004R	IC:M74HC04,SOP,TAPE 14P	
SR79	2007-000090	R-CHIP:10KOHM,5%,1/16W,DA,TP,1608		ZL10	2703-000398	INDUCTOR-SMD:10uH,10%,3.2x2.5x2.2mm	
SR8	2007-000799	R-CHIP:360ohm,5%,1/16W,DA,TP,1608		ZL12	2703-000398	INDUCTOR-SMD:10uH,10%,3.2x2.5x2.2mm	
SR9	2007-000097	R-CHIP:47Kohm,5%,1/16W,DA,TP,1608		ZL13	3301-001419	CORE-FERRITE BEAD:AB,220ohm,1.6x0.8x0.8mm	
SW2	3404-001203	SWITCH-TACT:12V DC,50MA,100GF,6.55X	DVD-S221/S222/S320 ONLY	ZL14	3301-001419	CORE-FERRITE BEAD:AB,220ohm,1.6x0.8x0.8mm	
SY1	2801-000261	CRYSTAL-UNIT:33.8688MHz,50ppm,28-AAA,12p		ZL15	3301-001419	CORE-FERRITE BEAD:AB,220ohm,1.6x0.8x0.8mm	
VR1	2104-001068	VR-SMD:10Kohm,25%,1/20W,TOP		ZL16	3301-001419	CORE-FERRITE BEAD:AB,220ohm,1.6x0.8x0.8mm	
ZC1	2203-000257	C-CERAMIC,CHIP:10nF,10%,50V,X7R,TP,1608		ZL2	3301-000314	CORE-FERRITE BEAD:AB,120ohm,1.6x0.8x0.8mm	
ZC10	2203-000257	C-CERAMIC,CHIP:10nF,10%,50V,X7R,TP,1608		ZL5	2007-000607	R-CHIP:2400HM,5%,1/10W,DA,TP,2012	
ZC11	2203-000257	C-CERAMIC,CHIP:10nF,10%,50V,X7R,TP,1608		ZL6	3301-000314	CORE-FERRITE BEAD:AB,120ohm,1.6x0.8x0.8mm	
ZC12	2203-000257	C-CERAMIC,CHIP:10nF,10%,50V,X7R,TP,1608		ZL7	3301-000314	CORE-FERRITE BEAD:AB,120ohm,1.6x0.8x0.8mm	
ZC13	2203-000257	C-CERAMIC,CHIP:10nF,10%,50V,X7R,TP,1608		ZL9	3301-000314	CORE-FERRITE BEAD:AB,120ohm,1.6x0.8x0.8mm	
ZC14	2203-000257	C-CERAMIC,CHIP:10nF,10%,50V,X7R,TP,1608		ZR10	2007-000070	R-CHIP:0ohm,5%,1/16W,DA,TP,1608	
ZC15	2203-000257	C-CERAMIC,CHIP:10nF,10%,50V,X7R,TP,1608		ZR16	2007-000074	R-CHIP:100ohm,5%,1/16W,DA,TP,1608	
ZC16	2203-000257	C-CERAMIC,CHIP:10nF,10%,50V,X7R,TP,1608		ZR17	2007-000074	R-CHIP:100ohm,5%,1/16W,DA,TP,1608	
ZC17	2203-000257	C-CERAMIC,CHIP:10nF,10%,50V,X7R,TP,1608		ZR18	2007-000074	R-CHIP:100ohm,5%,1/16W,DA,TP,1608	
ZC18	2203-000257	C-CERAMIC,CHIP:10nF,10%,50V,X7R,TP,1608		ZR2	2007-000113	R-CHIP:33ohm,5%,1/16W,DA,TP,1608	
ZC19	2203-000257	C-CERAMIC,CHIP:10nF,10%,50V,X7R,TP,1608		ZR23	2007-000078	R-CHIP:1Kohm,5%,1/16W,DA,TP,1608	
ZC2	2203-000257	C-CERAMIC,CHIP:10nF,10%,50V,X7R,TP,1608		ZR27	2007-000084	R-CHIP:4.7Kohm,5%,1/16W,DA,TP,1608	
ZC29	2203-000257	C-CERAMIC,CHIP:10nF,10%,50V,X7R,TP,1608		ZR28	2007-000084	R-CHIP:4.7Kohm,5%,1/16W,DA,TP,1608	
ZC3	2203-000257	C-CERAMIC,CHIP:10nF,10%,50V,X7R,TP,1608		ZR29	2007-000078	R-CHIP:1Kohm,5%,1/16W,DA,TP,1608	
ZC37	2203-000257	C-CERAMIC,CHIP:10nF,10%,50V,X7R,TP,1608		ZR3	2007-000113	R-CHIP:33ohm,5%,1/16W,DA,TP,1608	
ZC38	2203-000257	C-CERAMIC,CHIP:10nF,10%,50V,X7R,TP,1608		ZR35	3301-001309	CORE-FERRITE BEAD:AB,47ohm,1.6x0.8x0.8mm	
ZC39	2203-000257	C-CERAMIC,CHIP:10nF,10%,50V,X7R,TP,1608		ZR4	2007-000113	R-CHIP:33ohm,5%,1/16W,DA,TP,1608	
ZC4	2203-000626	C-CERAMIC,CHIP:0.022nF,5%,50V,NPO,TP,160		ZR5	2007-000113	R-CHIP:33ohm,5%,1/16W,DA,TP,1608	
ZC40	2203-000257	C-CERAMIC,CHIP:10nF,10%,50V,X7R,TP,1608		ZR6	2007-001164	R-CHIP:75ohm,1%,1/16W,DA,TP,1608	
ZC41	2203-000257	C-CERAMIC,CHIP:10nF,10%,50V,X7R,TP,1608		ZR68	2007-000078	R-CHIP:1Kohm,5%,1/16W,DA,TP,1608	
ZC42	2203-000257	C-CERAMIC,CHIP:10nF,10%,50V,X7R,TP,1608		ZR69	2007-000078	R-CHIP:1Kohm,5%,1/16W,DA,TP,1608	
ZC43	2203-005148	C-CERAMIC,CHIP:100nF,10%,16V,X7R,TP,1608		ZR7	2007-001164	R-CHIP:75ohm,1%,1/16W,DA,TP,1608	
ZC44	2203-000257	C-CERAMIC,CHIP:10nF,10%,50V,X7R,TP,1608		ZR70	2007-000078	R-CHIP:1Kohm,5%,1/16W,DA,TP,1608	
ZC45	2203-000257	C-CERAMIC,CHIP:10nF,10%,50V,X7R,TP,1608		ZR72	2011-000816	R-NETWORK:100ohm,5%,63mW,L,CHIP,8P,TP	
ZC46	2203-000257	C-CERAMIC,CHIP:10nF,10%,50V,X7R,TP,1608		ZR73	2007-000078	R-CHIP:1Kohm,5%,1/16W,DA,TP,1608	
ZC47	2203-000257	C-CERAMIC,CHIP:10nF,10%,50V,X7R,TP,1608		ZR74	2007-000074	R-CHIP:100ohm,5%,1/16W,DA,TP,1608	
ZC48	2203-000257	C-CERAMIC,CHIP:10nF,10%,50V,X7R,TP,1608		ZR75	2007-001164	R-CHIP:75ohm,1%,1/16W,DA,TP,1608	
ZC49	2203-000257	C-CERAMIC,CHIP:10nF,10%,50V,X7R,TP,1608		ZR76	2007-001164	R-CHIP:75ohm,1%,1/16W,DA,TP,1608	
ZC5	2203-000626	C-CERAMIC,CHIP:0.022nF,5%,50V,NPO,TP,160		ZR77	2007-001164	R-CHIP:75ohm,1%,1/16W,DA,TP,1608	
ZC50	2203-000257	C-CERAMIC,CHIP:10nF,10%,50V,X7R,TP,1608		ZR78	2007-001164	R-CHIP:75ohm,1%,1/16W,DA,TP,1608	
ZC51	2203-000257	C-CERAMIC,CHIP:10nF,10%,50V,X7R,TP,1608		ZR79	2007-007332	R-CHIP:1.18KOHM,1%,1/10W,DA,TP,2012	
ZC56	2203-000260	C-CERAMIC,CHIP:10nF,10%,50V,X7R,TP,2012		ZR8	2007-001164	R-CHIP:75ohm,1%,1/16W,DA,TP,1608	
ZC58	2203-000440	C-CERAMIC,CHIP:1nF,10%,50V,X7R,TP,1608,-		ZR84	2007-000078	R-CHIP:1Kohm,5%,1/16W,DA,TP,1608	
ZC59	2203-005148	C-CERAMIC,CHIP:100nF,10%,16V,X7R,TP,1608		ZR86	2007-000078	R-CHIP:1Kohm,5%,1/16W,DA,TP,1608	
ZC6	2203-000626	C-CERAMIC,CHIP:0.022nF,5%,50V,NPO,TP,160		ZR88	2007-000078	R-CHIP:1Kohm,5%,1/16W,DA,TP,1608	
ZC60	2203-000681	C-CERAMIC,CHIP:0.027nF,5%,50V,NPO,TP,160		ZR89	2007-000109	R-CHIP:1Mohm,5%,1/16W,DA,TP,1608	
ZC61	2007-000070	R-CHIP:0ohm,5%,1/16W,DA,TP,1608		ZR9	2007-001164	R-CHIP:75ohm,1%,1/16W,DA,TP,1608	
ZC62	2203-000681	C-CERAMIC,CHIP:0.027nF,5%,50V,NPO,TP,160		ZR91	2007-000074	R-CHIP:100ohm,5%,1/16W,DA,TP,1608	
ZC63	2203-000626	C-CERAMIC,CHIP:0.022nF,5%,50V,NPO,TP,160		ZR92	2007-000074	R-CHIP:100ohm,5%,1/16W,DA,TP,1608	

Electrical Parts List

Loc.No	Part No	Description ; Specification	Remark	Loc.No	Part No	Description ; Specification	Remark
ZR93	2007-00074	R-CHIP:100ohm,5%,1/16W,DA,TP,1608		AR3	2007-000267	R-CHIP:1.8KOHM,5%,1/10W,DA,TP,2012	
ZR94	2007-00078	R-CHIP:1Kohm,5%,1/16W,DA,TP,1608		AR35	2007-000300	R-CHIP:10KOHM,5%,1/10W,DA,TP,2012	
ZR95	2007-00078	R-CHIP:1Kohm,5%,1/16W,DA,TP,1608		AR36	2007-000572	R-CHIP:220OHM,5%,1/10W,DA,TP,2012	
ZR96	2007-00078	R-CHIP:1Kohm,5%,1/16W,DA,TP,1608		AR38	2001-000515	R-CARBON:220OHM,5%,1/8W,AA,TP,1.8X3.2MM	
ZY1	2801-003554	CRYSTAL-UNIT:27MHz,10ppm,28-AAM,12pf,40o		AR4	2001-000290	R-CARBON:10KOHM,5%,1/8W,AA,TP,1.8X3.2MM	
<b>602</b>	<b>AH92-01365A</b>	<b>ASSY PCB-JACK;DVD-S221/XAA</b>	<b>DVD-S221/S222/S320 ONLY</b>	AR40	2001-000429	R-CARBON:10KOHM,5%,1/8W,AA,TP,1.8X3.2MM	
	<b>AH92-01365C</b>	<b>ASSY PCB-JACK;DVD-S321/XAA</b>	<b>DVD-S321 ONLY</b>	AR403	2007-000468	R-CHIP:1KOHM,5%,1/10W,DA,TP,2012	
AC201	2203-000192	C-CERAMIC,CHIP:100nf,+80-20%,50V,Y5V,TP,		AR404	2007-000468	R-CHIP:1KOHM,5%,1/10W,DA,TP,2012	
AC202	2202-002037	C-CERAMIC,MLC-AXIAL:100nf,80-20%,50V,Y5V		AR405	2001-000977	R-CARBON:8.2KOHM,5%,1/8W,AA,TP,1.8X3.2M	
AC203	2203-000260	C-CERAMIC,CHIP:100nf,10%,50V,X7R,TP,2012		AR406	2001-000977	R-CARBON:8.2KOHM,5%,1/8W,AA,TP,1.8X3.2M	
AC204	2202-000797	C-CERAMIC,MLC-AXIAL:10NF,30%,16V,Y5S,TP,		AR407	2007-000468	R-CHIP:1KOHM,5%,1/10W,DA,TP,2012	
AC401	2203-000495	C-CERAMIC,CHIP:2.2nf,10%,50V,X7R,TP,2012		AR408	2007-000468	R-CHIP:1KOHM,5%,1/10W,DA,TP,2012	
AC402	2203-000839	C-CERAMIC,CHIP:0.39nf,5%,50V,NPO,TP,2012		AR409	2007-000409	R-CHIP:15KOHM,5%,1/10W,DA,TP,2012	
AC403	2203-000495	C-CERAMIC,CHIP:2.2nf,10%,50V,X7R,TP,2012		AR410	2007-000409	R-CHIP:15KOHM,5%,1/10W,DA,TP,2012	
AC404	2203-000839	C-CERAMIC,CHIP:0.39nf,5%,50V,NPO,TP,2012		AR411	2007-000221	R-CHIP:1.2KOHM,5%,1/10W,DA,TP,2012	
AC405	2203-000192	C-CERAMIC,CHIP:100nf,+80-20%,50V,Y5V,TP,		AR412	2007-000221	R-CHIP:1.2KOHM,5%,1/10W,DA,TP,2012	
AC406	2203-000192	C-CERAMIC,CHIP:100nf,+80-20%,50V,Y5V,TP,		AR5	2001-000290	R-CARBON:10KOHM,5%,1/8W,AA,TP,1.8X3.2MM	
AC407	2203-000126	C-CERAMIC,CHIP:1.2nf,10%,50V,X7R,TP,2012		AR51	2001-000429	R-CARBON:10KOHM,5%,1/8W,AA,TP,1.8X3.2MM	
AC408	2203-000126	C-CERAMIC,CHIP:1.2nf,10%,50V,X7R,TP,2012		AR54	2001-000429	R-CARBON:10KOHM,5%,1/8W,AA,TP,1.8X3.2MM	
AC409	2203-000316	C-CERAMIC,CHIP:0.12nf,5%,50V,NPO,TP,2012		AR55	2001-000273	R-CARBON:100KOHM,5%,1/8W,AA,TP,1.8X3.2M	
AC410	2203-000316	C-CERAMIC,CHIP:0.12nf,5%,50V,NPO,TP,2012		AR56	2001-000780	R-CARBON:470OHM,5%,1/8W,AA,TP,1.8X3.2MM	
AC411	2203-000316	C-CERAMIC,CHIP:0.12nf,5%,50V,NPO,TP,2012		AVJ1	3722-001469	JACK-PIN:3P/4P,3.2mm,NI,BLK,-	
AC413	2203-000192	C-CERAMIC,CHIP:100nf,+80-20%,50V,Y5V,TP,		AVJ2	3722-001467	JACK-PIN:3P,3.2mm,NI,BLK,-	
AD1	0407-000114	DIODE-ARRAY:DAN202K,80V,100mA,CA2-3,SOT-		AVJ4	3722-001516	JACK-PIN:1P,3.5mm,NI,BLK,-	
AD2	0407-000114	DIODE-ARRAY:DAN202K,80V,100mA,CA2-3,SOT-		AVJ5	3707-001060	CONNECTOR-OPTICAL-PLUG,GP1FA550TZ,6DB,2.	
AD51	0407-000114	DIODE-ARRAY:DAN202K,80V,100mA,CA2-3,SOT-		CN1	3708-001364	CONNECTOR-FPC/FFC/PIC:35P,1.25MM,STRAIGH	
AD54	0403-001158	DIODE-ZENER:MTZJ18C,18,500mW,DO-34,TP		CN3	AH39-00309A	CONNECT WIRE-;LUL1007,#26,LUL1007,#26,7P,	DVD-S321 ONLY
AD55	0403-001158	DIODE-ZENER:MTZJ18C,18,500mW,DO-34,TP		FC23	2202-000806	C-CERAMIC,MLC-AXIAL:220pf,10%,50V,Y5P,TP	
AE10	2401-000414	C-AL:10uf,20%,16V,GPTP,4x7,5		FC24	2202-000806	C-CERAMIC,MLC-AXIAL:220pf,10%,50V,Y5P,TP	
AE201	2401-000598	C-AL:1uf,20%,50V,GPTP,4x7,5		FC25	2202-000806	C-CERAMIC,MLC-AXIAL:220pf,10%,50V,Y5P,TP	
AE401	2401-000913	C-AL:22uf,20%,16V,GPTP,5x11,5		FC27	2202-002037	C-CERAMIC,MLC-AXIAL:100nf,80-20%,50V,Y5V	
AE402	2401-000913	C-AL:22uf,20%,16V,GPTP,5x11,5		FC28	2202-000173	C-CERAMIC,MLC-AXIAL:1nf,10%,50V,Y5P,TP,1	
AE403	2401-000913	C-AL:22uf,20%,16V,GPTP,5x11,5		FC7	2202-000797	C-CERAMIC,MLC-AXIAL:10NF,30%,16V,Y5S,TP,	
AE404	2401-002144	C-AL:47uf,20%,16V,GPTP,5x11,5		FD7	0401-000101	DIODE-SWITCHING:1N4148,100V,200mA,DO-35,	
AE405	2401-002144	C-AL:47uf,20%,16V,GPTP,5x11,5		FD9	0403-000551	DIODE-ZENER:MTZ3.9B,3.9V,3.89-4.16V,500m	
AE406	2401-000414	C-AL:10uf,20%,16V,GPTP,4x7,5		FE7	2401-000922	C-AL:22uf,20%,16V,GPTP,5x5,5	
AE407	2401-000414	C-AL:10uf,20%,16V,GPTP,4x7,5		FE8	2401-002144	C-AL:47uf,20%,16V,GPTP,5x11,5	
AE51	2401-000414	C-AL:10uf,20%,16V,GPTP,4x7,5		FE9	2401-001507	C-AL:47uf,20%,16V,GPTP,6.3x5,5	
AE52	2401-000302	C-AL:100uf,20%,25V,GPTP,6.3x11,5		FEEY	AH59-00010A	MODULE REMOCON;-;-,37.9KHZ,940NM,-;-,-	
AE6	2401-000913	C-AL:22uf,20%,16V,GPTP,5x11,5		FIC1	AH09-00061E	IC MICOM:GM581C2020,-;64PIN,2.7TO 5.5V,	
AE9	2401-000913	C-AL:22uf,20%,16V,GPTP,5x11,5		FIC7	1203-001252	IC-VOL. DETECTOR:7545,TO-92,3P;-;PLASTIC	
AIC3	AH14-10004R	IC:M74HCU04,SOT,PAPE 14P		FL1	2701-000114	INDUCTOR-AXIAL:10uH,10%,2.5x3.4mm	
AIC4	1002-001294	IC-D/A CONVERTER:PCM1742KE,24BIT,TSSOP,1		FQ29	0501-000398	TR-SMALL SIGNAL:KSC945,NPN,250mW,TO-92,T	DVD-S321 ONLY
AL1	3301-000353	CORE-FERRITE BEAD:AB,120ohm,2x1.25x0.9mm		FQ54	0501-000398	TR-SMALL SIGNAL:KSC945,NPN,250mW,TO-92,T	
AL2	3301-000353	CORE-FERRITE BEAD:AB,120ohm,2x1.25x0.9mm		FR07	2001-000429	R-CARBON:10KOHM,5%,1/8W,AA,TP,1.8X3.2MM	
AL201	2901-001125	FILTER-EMI ON BOARD:50V,0.5A,-,220pf,7x2		FR071	2001-000429	R-CARBON:10KOHM,5%,1/8W,AA,TP,1.8X3.2MM	
AL3	3301-000353	CORE-FERRITE BEAD:AB,120ohm,2x1.25x0.9mm		FR072	2001-000793	R-CARBON:10KOHM,5%,1/8W,AA,TP,1.8X3.2MM	
AOP4	1201-000163	IC-OP AMP:4560,SOP,8P,173MIL,DUAL,100V/m		FR1	2001-000281	R-CARBON:100OHM,5%,1/8W,AA,TP,1.8X3.2MM	
AQ1	0501-000398	TR-SMALL SIGNAL:KSC945,NPN,250mW,TO-92,T		FR16	2001-000027	R-CARBON:100OHM,5%,1/4W,AA,TP,2.4X6.4MM	
AQ3	0501-000398	TR-SMALL SIGNAL:KSC945,NPN,250mW,TO-92,T		FR17	2001-000027	R-CARBON:100OHM,5%,1/4W,AA,TP,2.4X6.4MM	
AQ4	0504-000128	TR-DIGITAL:-;NPN,200MW,22K/22K,SOT-23,TP		FR19	2001-000007	R-CARBON:3KOHM,5%,1/8W,AA,TP,1.8X3.2MM	
AQ5	0504-000156	TR-DIGITAL:KSR2103,PNP,200MW,22K/22K,SOT		FR2	2001-000281	R-CARBON:100OHM,5%,1/8W,AA,TP,1.8X3.2MM	
AQ51	0504-000128	TR-DIGITAL:-;NPN,200MW,22K/22K,SOT-23,TP		FR20	2001-000007	R-CARBON:3KOHM,5%,1/8W,AA,TP,1.8X3.2MM	
AQ52	0504-000156	TR-DIGITAL:KSR2103,PNP,200MW,22K/22K,SOT		FR21	2001-000273	R-CARBON:100KOHM,5%,1/8W,AA,TP,1.8X3.2M	
AQ55	0501-000303	TR-SMALL SIGNAL:KSA733,PNP,250mW,TO-92,T		FR22	2001-000273	R-CARBON:100KOHM,5%,1/8W,AA,TP,1.8X3.2M	
AQ6	0504-000128	TR-DIGITAL:-;NPN,200MW,22K/22K,SOT-23,TP		FR23	2001-000007	R-CARBON:3KOHM,5%,1/8W,AA,TP,1.8X3.2MM	
AQ7	0504-000156	TR-DIGITAL:KSR2103,PNP,200MW,22K/22K,SOT		FR24	2001-000007	R-CARBON:3KOHM,5%,1/8W,AA,TP,1.8X3.2MM	
AR1	2007-000267	R-CHIP:1.8KOHM,5%,1/10W,DA,TP,2012		FR25	2001-000007	R-CARBON:3KOHM,5%,1/8W,AA,TP,1.8X3.2MM	
AR2	2007-000267	R-CHIP:1.8KOHM,5%,1/10W,DA,TP,2012		FR28	2001-000780	R-CARBON:470OHM,5%,1/8W,AA,TP,1.8X3.2MM	
AR201	2001-000003	R-CARBON:330ohm,5%,1/8W,AA,TP,1.8x3.2mm		FR281	2001-000273	R-CARBON:100KOHM,5%,1/8W,AA,TP,1.8X3.2M	
AR202	2001-000969	R-CARBON:750HM,5%,1/8W,AA,TP,1.8X3.2MM		FR29	2001-000290	R-CARBON:10KOHM,5%,1/8W,AA,TP,1.8X3.2MM	DVD-S321 ONLY
AR203	2001-000515	R-CARBON:220OHM,5%,1/8W,AA,TP,1.8X3.2MM		FR291	2001-000490	R-CARBON:200OHM,5%,1/8W,AA,TP,1.8X3.2MM	DVD-S321 ONLY
AR21	2007-000300	R-CHIP:10KOHM,5%,1/10W,DA,TP,2012		FR3	2001-000281	R-CARBON:100OHM,5%,1/8W,AA,TP,1.8X3.2MM	
AR22	2001-000515	R-CARBON:220OHM,5%,1/8W,AA,TP,1.8X3.2MM		FR4	2001-000281	R-CARBON:100OHM,5%,1/8W,AA,TP,1.8X3.2MM	
AR24	2001-000515	R-CARBON:220OHM,5%,1/8W,AA,TP,1.8X3.2MM		FR5	2001-000281	R-CARBON:100OHM,5%,1/8W,AA,TP,1.8X3.2MM	
AR26	2001-000429	R-CARBON:1KOHM,5%,1/8W,AA,TP,1.8X3.2MM		FR54	2001-000490	R-CARBON:200OHM,5%,1/8W,AA,TP,1.8X3.2MM	

Loc.No	Part No	Description ; Specification	Remark	Loc.No	Part No	Description ; Specification	Remark
FR541	2001-000290	R-CARBON:10KOHM,5%,1/8W,AA,TP,1.8X3.2MM		PDS02	0402-001196	DIODE-RECTIFIER:1T5,600V,1A,TS-1,TP	△
FR55	2001-000290	R-CARBON:10KOHM,5%,1/8W,AA,TP,1.8X3.2MM		PDS03	0402-001196	DIODE-RECTIFIER:1T5,600V,1A,TS-1,TP	△
FR56	2001-000429	R-CARBON:10KOHM,5%,1/8W,AA,TP,1.8X3.2MM		PDS04	0402-001196	DIODE-RECTIFIER:1T5,600V,1A,TS-1,TP	△
FR59	2001-000290	R-CARBON:10KOHM,5%,1/8W,AA,TP,1.8X3.2MM		PDS11	0402-000012	DIODE-RECTIFIER:UF4007,1KV,1A,DO-41,TP	
FR6	2001-000281	R-CARBON:100OHM,5%,1/8W,AA,TP,1.8X3.2MM		PDS31	0402-001194	DIODE-RECTIFIER:UG2D,200V,2A,DO-204AC,TP	
FR60	2001-000290	R-CARBON:10KOHM,5%,1/8W,AA,TP,1.8X3.2MM		PDS33	0402-001438	DIODE-RECTIFIER:SHK55-56,60V,3A,AXIAL,BK	
FRA1	2011-001357	R-NETWORK:51K,5%,1/8W,A,SIP,11P,BK		PDS34	0402-001438	DIODE-RECTIFIER:SHK55-56,60V,3A,AXIAL,BK	
FRA2	2011-001357	R-NETWORK:51K,5%,1/8W,A,SIP,11P,BK		PDS36	0402-001195	DIODE-RECTIFIER:F1T4,400V,1.0A,TS-1,TP	
FRA3	2011-001357	R-NETWORK:51K,5%,1/8W,A,SIP,11P,BK		PDS51	0401-000101	DIODE-SWITCHING:1N4148,100V,200mA,DO-35,	
FY1	2802-001094	RESONATOR-CERAMIC:4.0MHz,0.5%,TP,8x3x5.5		PDS52	0402-000132	DIODE-RECTIFIER:1N4004,400V,1A,DO-41,TP	
HC1	2202-002037	C-CERAMIC,MLC-AXIAL:100nF,80-20%,50V,Y5V	DVD-S321 ONLY	PER10	2401-003365	C-AL:150uF,20%,250V,GP,TP,18x25,7.5	
HC5	2202-002037	C-CERAMIC,MLC-AXIAL:100nF,80-20%,50V,Y5V	DVD-S321 ONLY	PER11	2401-001235	C-AL:4.7uF,20%,250V,WT,TP,10x12,5.5	
HC6	2202-002037	C-CERAMIC,MLC-AXIAL:100nF,80-20%,50V,Y5V	DVD-S321 ONLY	PER12	2401-000905	C-AL:22uF,20%,16V,BP,-,6x11,2.5mm	
HCC1	2202-000173	C-CERAMIC,MLC-AXIAL:1nF,10%,50V,Y5P,TP,1	DVD-S321 ONLY	PES31	2401-000302	C-AL:100uF,20%,25V,GP,TP,6.3x11,5	
HCC2	2202-000173	C-CERAMIC,MLC-AXIAL:1nF,10%,50V,Y5P,TP,1	DVD-S321 ONLY	PES33	2401-003059	C-AL:1000UF,20%,16V,WT,TP,10X16,5	
HE10	2401-002075	C-AL:4.7uF,20%,50V,GP,TP,5x11,5	DVD-S321 ONLY	PES34	2401-000118	C-AL:1000uF,20%,10V,GP,TP,10x12,5,5	
HE21	2401-000414	C-AL:10uF,20%,16V,GP,TP,4x7,5	DVD-S321 ONLY	PES35	2401-003046	C-AL:47uF,20%,50V,WT,TP,6.3x11,2,5	
HE22	2401-000414	C-AL:10uF,20%,16V,GP,TP,4x7,5	DVD-S321 ONLY	PES36	2401-001353	C-AL:470uF,20%,10V,GP,TP,8x11,5,5	
HE3	2401-002075	C-AL:4.7uF,20%,50V,GP,TP,5x11,5	DVD-S321 ONLY	PES37	2401-002042	C-AL:220uF,20%,10V,GP,TP,6.3x11,5	
HE4	2401-002075	C-AL:4.7uF,20%,50V,GP,TP,5x11,5	DVD-S321 ONLY	PES51	2401-000302	C-AL:100uF,20%,25V,GP,TP,6.3x11,5	
HE7	2401-002075	C-AL:4.7uF,20%,50V,GP,TP,5x11,5	DVD-S321 ONLY	PES52	2401-000598	C-AL:1uF,20%,50V,GP,TP,4x7,5	
HE8	2401-002075	C-AL:4.7uF,20%,50V,GP,TP,5x11,5	DVD-S321 ONLY	PES54	2401-002144	C-AL:47uF,20%,16V,GP,TP,5x11,5	
HE9	2401-002075	C-AL:4.7uF,20%,50V,GP,TP,5x11,5	DVD-S321 ONLY	PES56	2401-000302	C-AL:100uF,20%,25V,GP,TP,6.3x11,5	
HL1	2701-000114	INDUCTOR-AXIAL:10uH,10%,2.5x3.4mm	DVD-S321 ONLY	PES57	2401-000302	C-AL:100uF,20%,25V,GP,TP,6.3x11,5	
HL2	2701-000114	INDUCTOR-AXIAL:10uH,10%,2.5x3.4mm	DVD-S321 ONLY	PES58	2401-001353	C-AL:470uF,20%,10V,GP,TP,8x11,5,5	
HOP1	1201-000163	IC-OP AMP:4560,SOP8P,173MIL,DUAL,100V/m	DVD-S321 ONLY	PF001	3601-000194	FUSE-CARTRIDGE:250V,1A,FAST-ACTING,GLASS	△
HR1	2001-000666	R-CARBON:330OHM,5%,1/8W,AA,TP,1.8X3.2MM	DVD-S321 ONLY	PICS1	0604-000186	PHOTO-COUPLER:TR,-,200mW,DIP-4,ST	
HR15	2001-000515	R-CARBON:220OHM,5%,1/8W,AA,TP,1.8X3.2MM	DVD-S321 ONLY	PICS2	AC14-12006D	IC-KA431Z,TO-92,TAPING	DVD-S221/S222/S320 ONLY
HR16	2001-000515	R-CARBON:220OHM,5%,1/8W,AA,TP,1.8X3.2MM	DVD-S321 ONLY	PICS3	1203-000242	IC-POSITIONED REG:-7812,TO-220,3P,-,PLAS	
HR19	2001-000837	R-CARBON:51KOHM,5%,1/8W,AA,TP,1.8X3.2MM	DVD-S321 ONLY	PICS5	1203-002185	IC-VOLTAGE REGULATOR:3RD13,TO-220,4P,402	
HR2	2001-001015	R-CARBON:9.1KOHM,5%,1/8W,AA,TP,1.8X3.2M	DVD-S321 ONLY	PLS01	AC29-00003A	FILTER LINE NOISE:-,20mH MIN,-,-,-	△
HR20	2001-000837	R-CARBON:51KOHM,5%,1/8W,AA,TP,1.8X3.2MM	DVD-S321 ONLY	PLS02	AC27-12001N	COIL-CHOKE:10UH-15%,RA,K-30,C80,150KHZ,-	
HR21	2001-000837	R-CARBON:51KOHM,5%,1/8W,AA,TP,1.8X3.2MM	DVD-S321 ONLY	PQR11	0502-000405	TR-POWER:-,NPN,70W,TO-220,BK,10	△
HR22	2001-000837	R-CARBON:51KOHM,5%,1/8W,AA,TP,1.8X3.2MM	DVD-S321 ONLY	PQR12	0501-000442	TR-SMALL SIGNAL:KTC3203-Y,NPN,400MMW,TO-9	
HR23	2001-000273	R-CARBON:100KOHM,5%,1/8W,AA,TP,1.8X3.2M	DVD-S321 ONLY	PQS55	0504-000142	TR-DIGITAL:KSR2001,PNP,300MMW,4.7K/4.7K,T	
HR24	2001-000273	R-CARBON:100KOHM,5%,1/8W,AA,TP,1.8X3.2M	DVD-S321 ONLY	PQS56	0504-000118	TR-DIGITAL:KSR1003,NPN,300MMW,22K/22K,TO-	
HR3	2001-000800	R-CARBON:5.1KOHM,5%,1/8W,AA,TP,1.8X3.2M	DVD-S321 ONLY	PQS57	0501-000616	TR-SMALL SIGNAL:KSC2328A-Y,NPN,1W,TO-92L	
HR4	2001-000666	R-CARBON:330OHM,5%,1/8W,AA,TP,1.8X3.2MM	DVD-S321 ONLY	PQS58	0501-000616	TR-SMALL SIGNAL:KSC2328A-Y,NPN,1W,TO-92L	
HR5	2001-001015	R-CARBON:9.1KOHM,5%,1/8W,AA,TP,1.8X3.2M	DVD-S321 ONLY	PRD11	2003-000119	R-METAL OXIDE:0.68ohm,5%,2W,AE,TP,6x16mm	
HR6	2001-000800	R-CARBON:5.1KOHM,5%,1/8W,AA,TP,1.8X3.2M	DVD-S321 ONLY	PRD31	2001-000221	R-CARBON:1.2KOHM,5%,1/8W,AA,TP,1.8X3.2M	
HR7	2001-000290	R-CARBON:10KOHM,5%,1/8W,AA,TP,1.8X3.2MM	DVD-S321 ONLY	PRD32	2001-000003	R-CARBON:330ohm,5%,1/8W,AA,TP,1.8X3.2mm	
HR8	2001-000290	R-CARBON:10KOHM,5%,1/8W,AA,TP,1.8X3.2MM	DVD-S321 ONLY	PRR11	2003-002117	R-METAL OXIDE(S):330Kohm,5%,1W,AA,TP,3.3	
HRR1	2001-000527	R-CARBON:220OHM,5%,1/8W,AA,TP,1.8X3.2MM	DVD-S321 ONLY	PRR12	2003-000314	R-METAL OXIDE:47ohm,5%,2W,AE,TP,6x16mm	
HRR2	2001-000527	R-CARBON:220OHM,5%,1/8W,AA,TP,1.8X3.2MM	DVD-S321 ONLY	PRR13	2003-000314	R-METAL OXIDE:47ohm,5%,2W,AE,TP,6x16mm	
KVR1	2101-001090	VR-ROTARY:30Kohm,20%,1/20W,SIDE	DVD-S321 ONLY	PRR14	2001-000003	R-CARBON:330ohm,5%,1/8W,AA,TP,1.8X3.2mm	
LED54	0601-001447	LED:ROUND,RED,3.1mm,650nm		PRR15	2001-000003	R-CARBON:330ohm,5%,1/8W,AA,TP,1.8X3.2mm	
MIC2	3722-001465	JACK-PHONE:3P,4.3PL,AG,BLK,-	DVD-S321 ONLY	PRR17	2001-000734	R-CARBON:4.7KOHM,5%,1/8W,AA,TP,1.8X3.2MM	
PBR11	3301-000297	CORE-FERRITE BEAD:AA,3.6x1.2x5.7mm,1400,		PRS11	2003-000994	R-METAL OXIDE(S):33Kohm,5%,2W,AF,TP,3.9x	
PBS01	3301-000297	CORE-FERRITE BEAD:AA,3.6x1.2x5.7mm,1400,		PRS12	2003-000994	R-METAL OXIDE(S):33Kohm,5%,2W,AF,TP,3.9x	
PCD02	2201-000828	C-CERAMIC,DISC:3.3nF,20%,400V,Y5U,TP,15x	△	PRS31	2001-000440	R-CARBON:10HM,5%,1/8W,AA,TP,1.8X3.2MM	
PCD03	2201-000828	C-CERAMIC,DISC:3.3nF,20%,400V,Y5U,TP,15x	△	PRS32	2001-000429	R-CARBON:1KOHM,5%,1/8W,AA,TP,1.8X3.2MM	
PCD12	2201-000930	C-CERAMIC,DISC:0.22nF,10%,500V,Y5P,TP,5,		PRS33	2004-000869	R-METAL:3Kohm,1%,1/8W,AA,TP,1.8x3.2mm	
PCNS1	AH39-00403A	CONNECT WIRE:-,#26,-,-,-,WHT/BLK,-,-,-,-		PRS34	2004-000459	R-METAL:2.2Kohm,1%,1/8W,AA,TP,1.8x3.2m	
PCNS2	3711-000178	CONNECTOR-HEADER:1WALL,2P,1R,3.96mm,STRA	△	PRS54	2001-000449	R-CARBON:2.2KOHM,5%,1/8W,AA,TP,1.8X3.2M	
PCR01	2201-000795	C-CERAMIC,DISC:10nF,10%,400V,Y5P,TP,15x1	△	PRS55	2001-000062	R-CARBON:470OHM,5%,1/4W,AA,TP,2.4x6.4MM	
PCR02	2201-000828	C-CERAMIC,DISC:3.3nF,20%,400V,Y5U,TP,15x	△	PTD1	AH26-00183A	TRANS SWITCHING:SELLING,RCC,-,100V/230V,	△
PCR11	2201-000930	C-CERAMIC,DISC:0.22nF,10%,500V,Y5P,TP,5,		PVA1	1405-000186	VARIATOR:470V,2500A,17.5x7.5mm,TP	△
PCR13	2301-000180	C-FILM,PEF:18nF,0.05,100V,TP,7.2x4.5x8.0		PZR31	0403-001036	DIODE-ZENER:1N4745A,16V,5%,1W,DO-41,TP	
PCR14	2301-000417	C-FILM,PEF:24nF,5%,50V,TP,6.5x10.5x4mm,5		PZS51	0403-000717	DIODE-ZENER:MTZJ5.1B,5.1V,4.94-5.2V,500m	
PCR15	2301-000423	C-FILM,PEF:3.3nF,5%,100V,TP,7x10x4.5mm,5		SVJ1	3722-001375	JACK-DIN:4P,-,NI,BLK,-	
PCS03	2201-000916	C-CERAMIC,DISC:100pF,10%,400V,Y5U,TP,10x	△	SW1	3404-001164	SWITCH-TACT:12V DC,50MA,100GF,7X7X6.7MM,	
PCS32	2301-000129	C-FILM,PEF:100nF,5%,50V,TP,10X9X4.3X5,5m		VC1	2203-000192	C-CERAMIC,CHIP:100nF,+80-20%,50V,Y5V,TP,	
PDD35	0402-001195	DIODE-RECTIFIER:F1T4,400V,1.0A,TS-1,TP		VC106	2203-000192	C-CERAMIC,CHIP:100nF,+80-20%,50V,Y5V,TP,	
PDR11	0401-000101	DIODE-SWITCHING:1N4148,100V,200mA,DO-35,		VC11	2203-000260	C-CERAMIC,CHIP:10nF,10%,50V,X7R,TP,2012	
PDR12	0401-000101	DIODE-SWITCHING:1N4148,100V,200mA,DO-35,		VC12	2203-000192	C-CERAMIC,CHIP:100nF,+80-20%,50V,Y5V,TP,	
PDS01	0402-001196	DIODE-RECTIFIER:1T5,600V,1A,TS-1,TP	△	VC14	2202-002037	C-CERAMIC,MLC-AXIAL:100nF,80-20%,50V,Y5V	

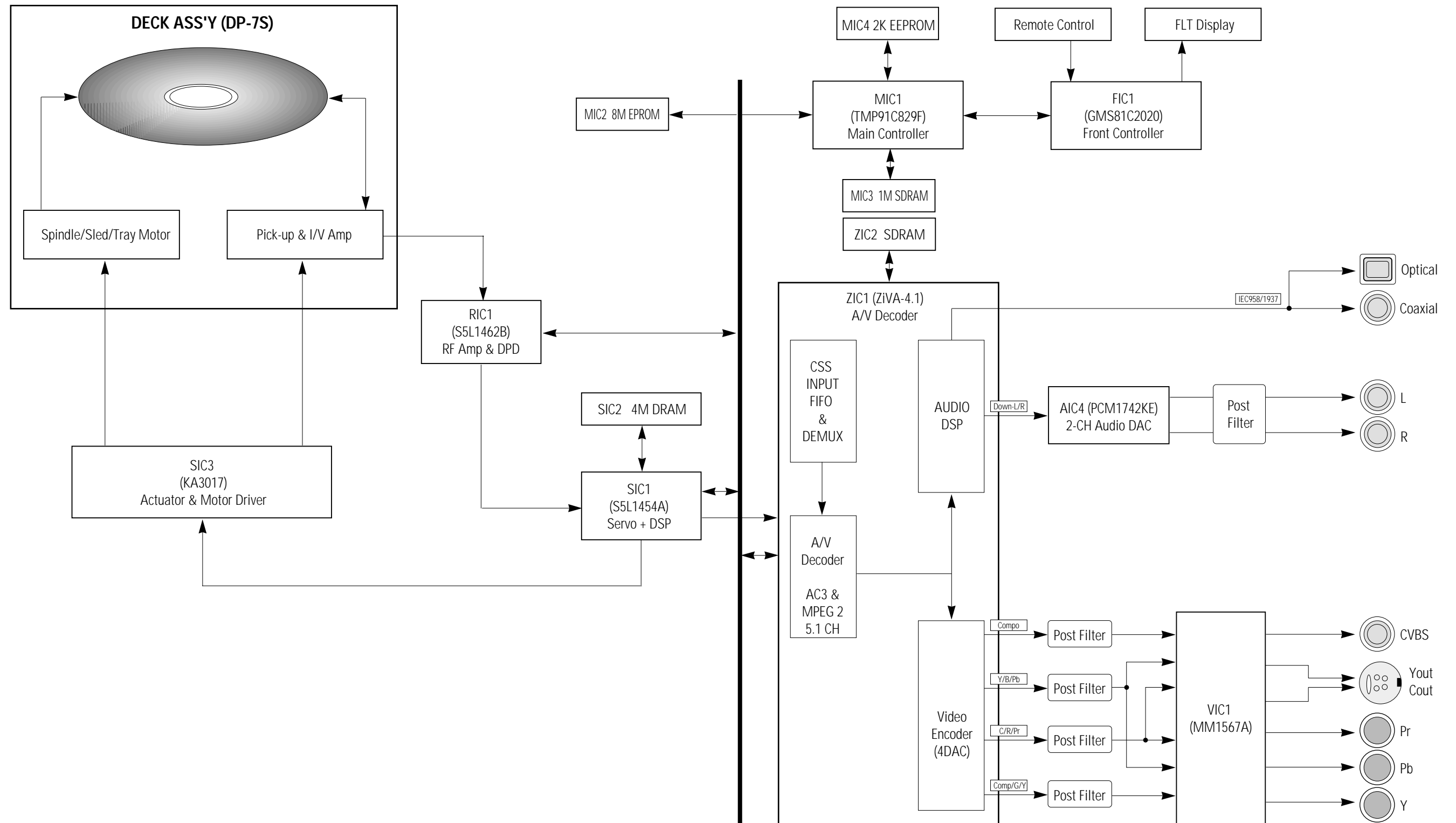


Electrical Parts List

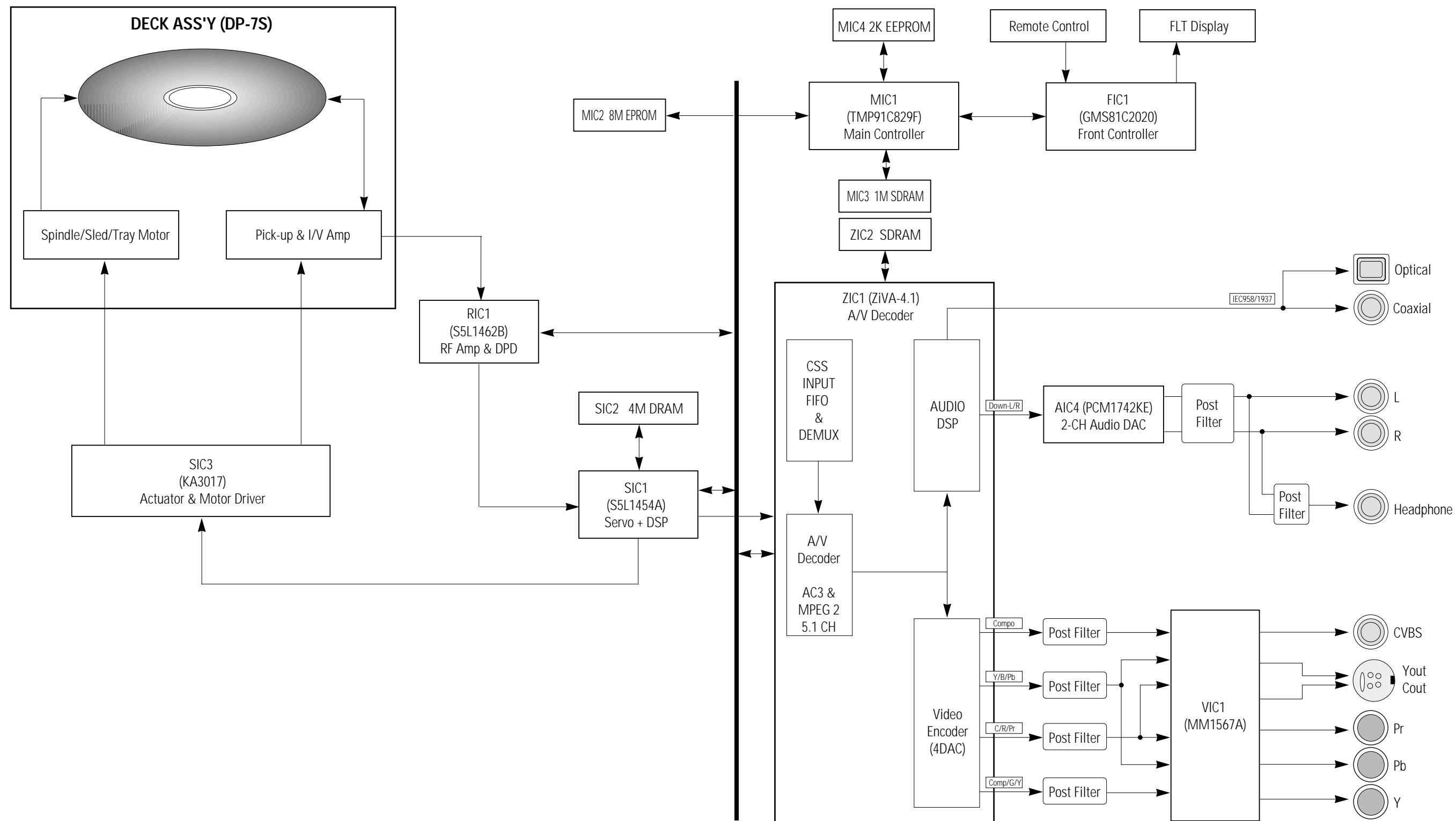
Loc.No	Part No	Description ; Specification	Remark	Loc.No	Part No	Description ; Specification	Remark
VC15	2202-002037	C-CERAMIC,MLC-AXIAL:100nF,80-20%,50V,Y5V					
VC16	2202-002037	C-CERAMIC,MLC-AXIAL:100nF,80-20%,50V,Y5V					
VC3	2203-000192	C-CERAMIC,CHIP:100nF,+80-20%,50V,Y5V,TP,					
VC5	2203-000192	C-CERAMIC,CHIP:100nF,+80-20%,50V,Y5V,TP,					
VC6	2203-000192	C-CERAMIC,CHIP:100nF,+80-20%,50V,Y5V,TP,					
VE1	2401-002165	C-AL:100uF,20%,16V,GP,TP,6.3x7,5					
VE11	2401-002144	C-AL:47uF,20%,16V,GP,TP,5x11,5					
VE12	2401-002165	C-AL:100uF,20%,16V,GP,TP,6.3x7,5					
VE3	2401-002165	C-AL:100uF,20%,16V,GP,TP,6.3x7,5					
VE5	2401-001479	C-AL:470uF,20%,10V,GP,TP,-,-					
VE7	2401-001479	C-AL:470uF,20%,10V,GP,TP,-,-					
VE9	2401-001479	C-AL:470uF,20%,10V,GP,TP,-,-					
VFD1	AH07-00074A	VF DISPLAY:-,DVD-M201,75X20.5MM,1/9,8,10					
VIC1	1201-001836	IC-VIDEO AMP:MM1567AJBE,SOP34P,300MIL,-					
VJ1	2007-000029	R-CHIP:00HM,5%,1/10W,DA,TP,2012					
VJ12	2007-000029	R-CHIP:00HM,5%,1/10W,DA,TP,2012					
VJ13	2007-000029	R-CHIP:00HM,5%,1/10W,DA,TP,2012					
VJ2	2007-000029	R-CHIP:00HM,5%,1/10W,DA,TP,2012					
VJ3	2007-000029	R-CHIP:00HM,5%,1/10W,DA,TP,2012					
VJ4	2007-000029	R-CHIP:00HM,5%,1/10W,DA,TP,2012					
VJ5	2007-000029	R-CHIP:00HM,5%,1/10W,DA,TP,2012					
VJ8	2007-000029	R-CHIP:00HM,5%,1/10W,DA,TP,2012					
VL1	2701-000114	INDUCTOR-AXIAL:10uH,10%,2.5x3.4mm					
VR11	2001-000969	R-CARBON:75OHM,5%,1/8W,AA,TP,1.8X3.2MM					
VR12	2001-000969	R-CARBON:75OHM,5%,1/8W,AA,TP,1.8X3.2MM					
VR121	2007-000572	R-CHIP:220OHM,5%,1/10W,DA,TP,2012					
VR123	2007-000300	R-CHIP:10KOHM,5%,1/10W,DA,TP,2012					
VR13	2001-000969	R-CARBON:75OHM,5%,1/8W,AA,TP,1.8X3.2MM					
VR14	2001-000969	R-CARBON:75OHM,5%,1/8W,AA,TP,1.8X3.2MM					
VR15	2001-000969	R-CARBON:75OHM,5%,1/8W,AA,TP,1.8X3.2MM					
VR16	2001-000969	R-CARBON:75OHM,5%,1/8W,AA,TP,1.8X3.2MM					
VR21	2007-001166	R-CHIP:75OHM,5%,1/10W,DA,TP,2012					
VR22	2007-001166	R-CHIP:75OHM,5%,1/10W,DA,TP,2012					
VR24	2007-000029	R-CHIP:00HM,5%,1/10W,DA,TP,2012					
VSW1	AH34-00010A	SWITCH SLIDE:-,50V DC,-,-,100MOHM,-,-,-,					
<b>701</b>	<b>AH92-01393B</b>	<b>ASSY PCB-KEY:DVD-S321/XAA,USA,KEY PCB AS</b>	<b>DVD-S321 ONLY</b>				
JOG1	3406-001072	SWITCH-ROTARY:5V DC,0.5mA,24Pulse/no cli					
KCN1	AH39-00310A	CONNECT WIRE:-,UL1007,#26,UL1007,#26,7P,					
KD1	0601-001448	LED-ROUND,ORG,3.1mm,610nm					
KR1	2001-000429	R-CARBON:1KOHM,5%,1/8W,AA,TP,1.8X3.2MM					
KR2	2001-000577	R-CARBON:2KOHM,5%,1/8W,AA,TP,1.8X3.2MM					
KR3	2001-000429	R-CARBON:1KOHM,5%,1/8W,AA,TP,1.8X3.2MM					
KR4	2001-000577	R-CARBON:2KOHM,5%,1/8W,AA,TP,1.8X3.2MM					
KR5	2001-000878	R-CARBON:6.2KOHM,5%,1/8W,AA,TP,1.8X3.2M					
KSW1	3404-000165	SWITCH-TACT:12V,50mA,160gf,6x6mm,SPST					
KSW2	3404-000165	SWITCH-TACT:12V,50mA,160gf,6x6mm,SPST					
KSW3	3404-000165	SWITCH-TACT:12V,50mA,160gf,6x6mm,SPST					
KSW4	3404-000165	SWITCH-TACT:12V,50mA,160gf,6x6mm,SPST					
KSW5	3404-000165	SWITCH-TACT:12V,50mA,160gf,6x6mm,SPST					
KSW6	3404-000165	SWITCH-TACT:12V,50mA,160gf,6x6mm,SPST					
<b>H250</b>	<b>AH92-00900A</b>	<b>ASSY-HOUSING PCB:DVD-M101,MILLENO DECK</b>					
HCN1	AH39-00266A	CONNECT WIRE:-,#26,-,-,-,WHT/BLK,-,-,-,-					
HSW1	3409-001119	SWITCH-DETECTOR:5V DC,1.0A,DPST,30gf,-					

## 6. Block Diagrams

### 6-1 DVD-S221/S222/S320



6-2 DVD-S321



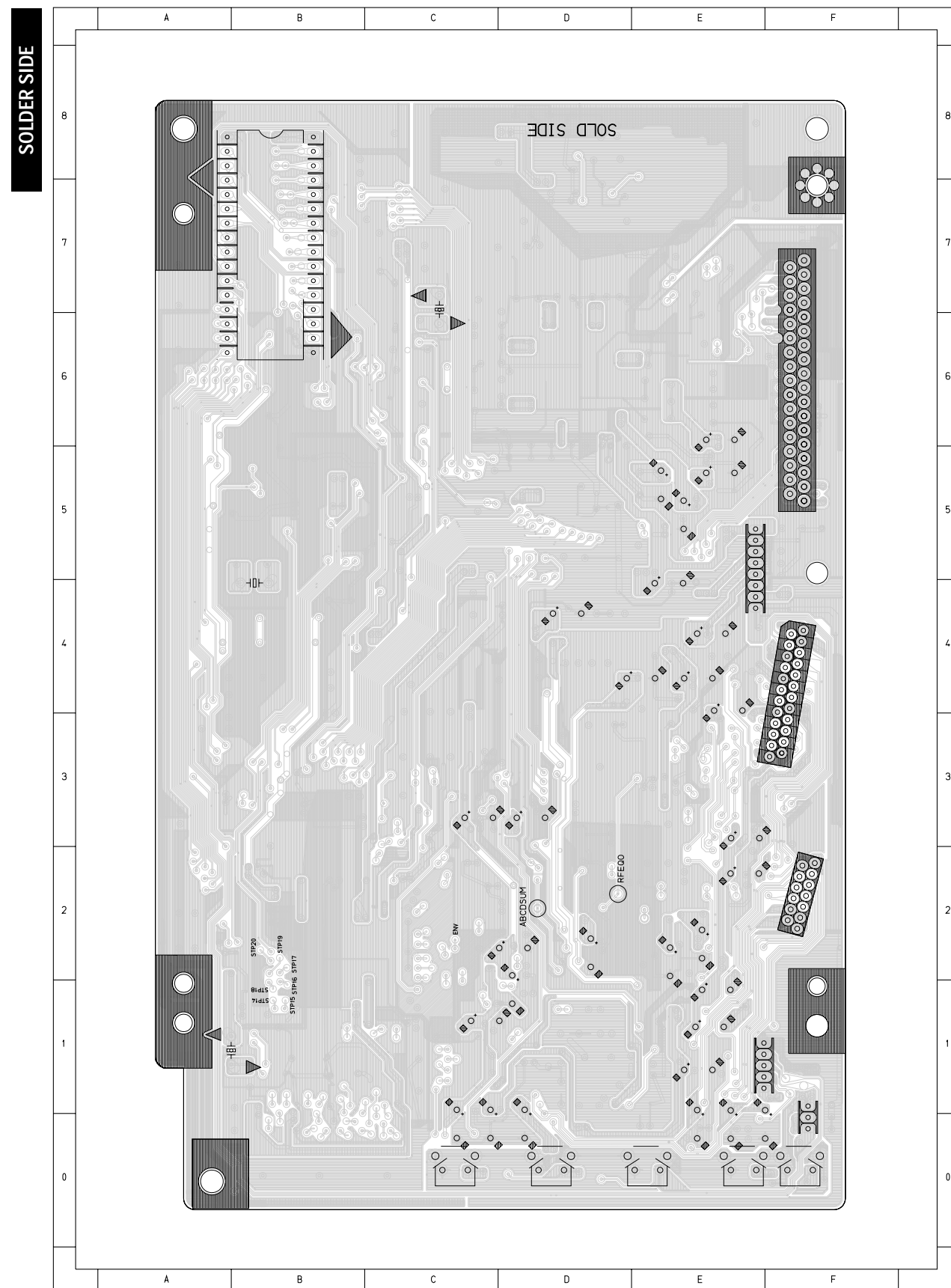
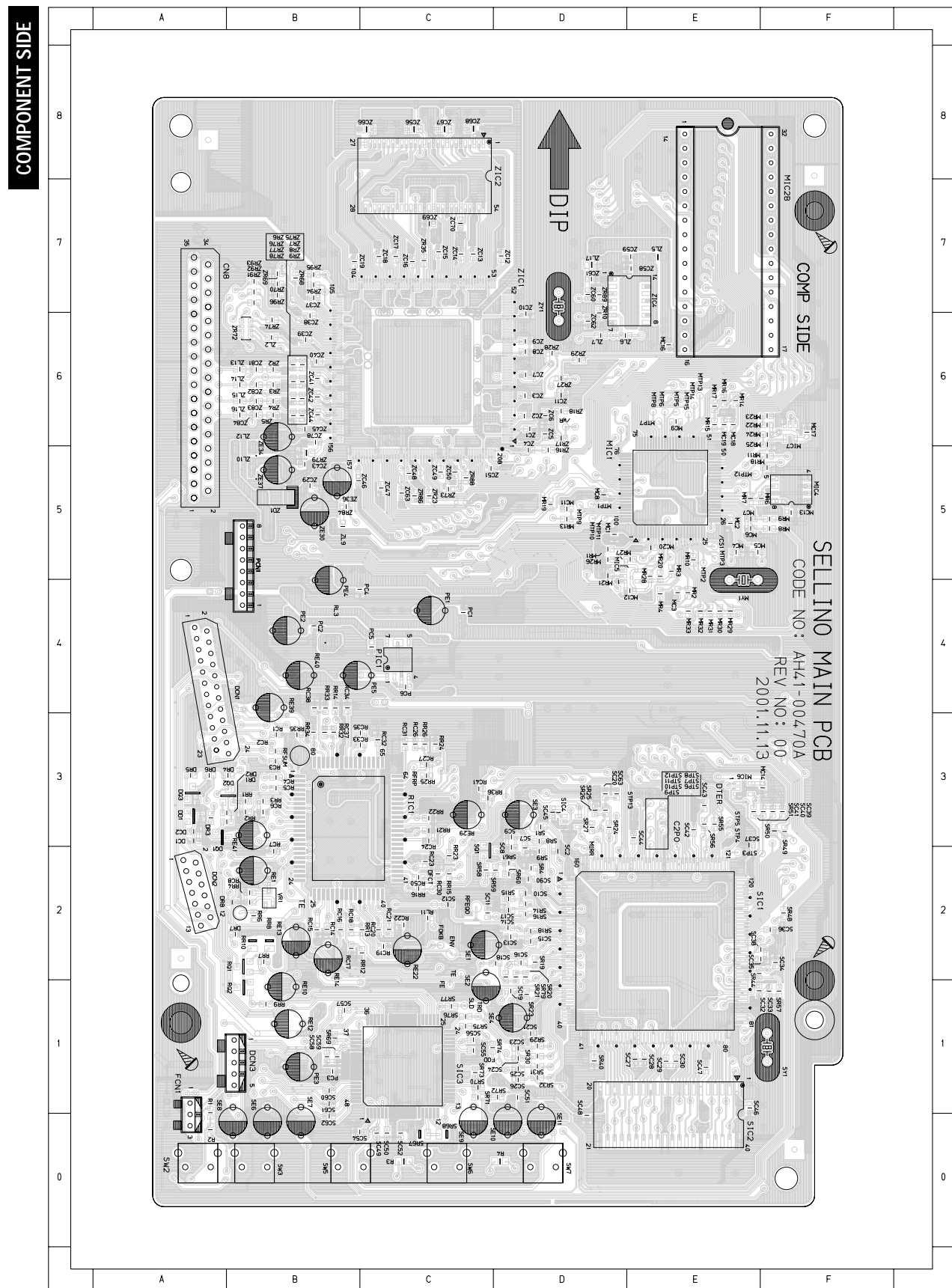
---

## 7. PCB Diagrams

---

7-1 Main	7-2
7-2 Jack	7-3
7-3 Key (Only for DVD-S321)	7-4

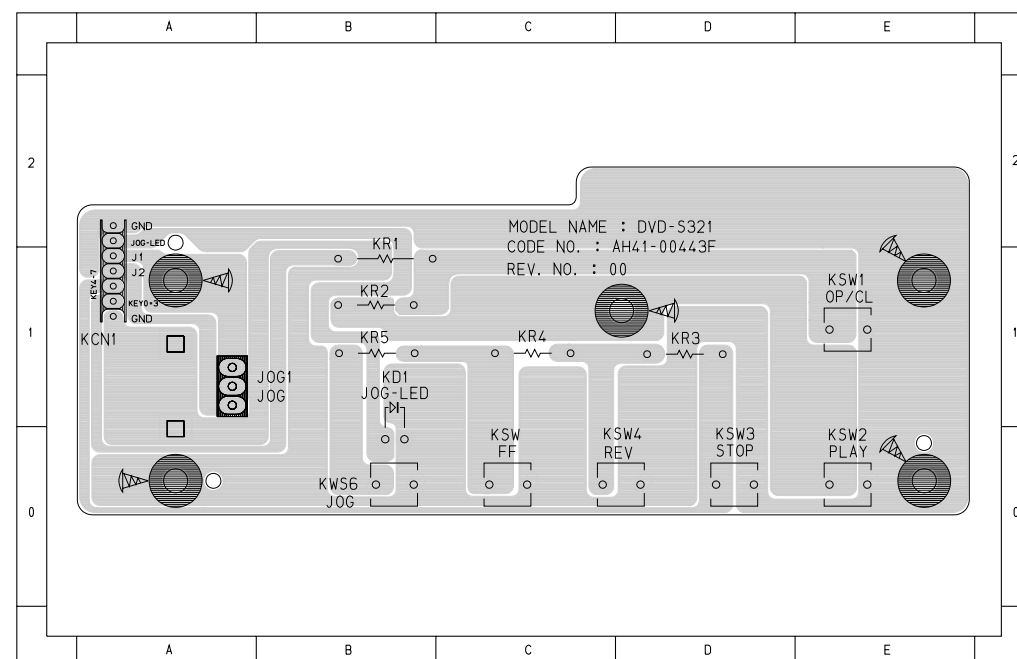
### 7-1 Main





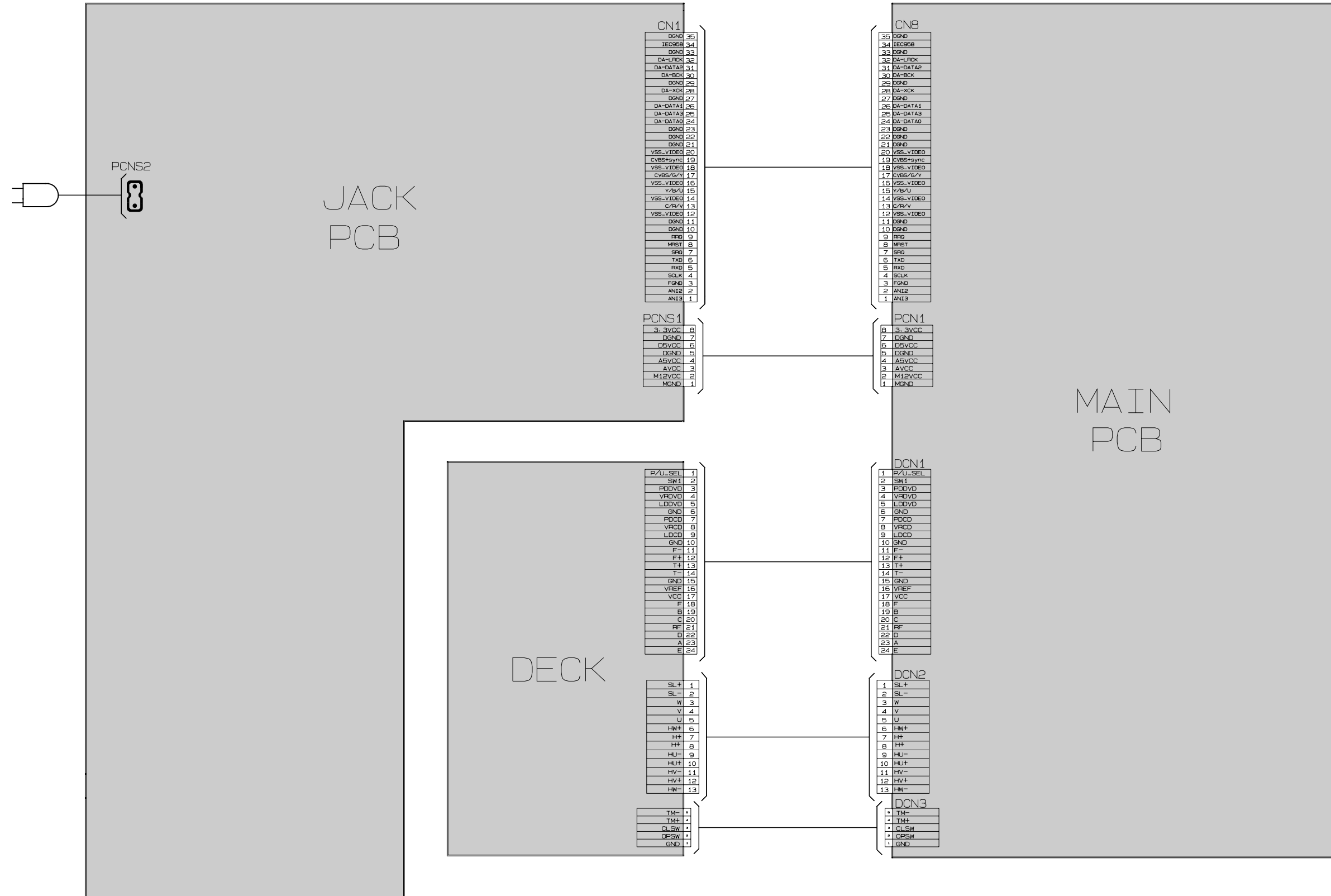
### 7-3 Key (Only for DVD-S321)

---



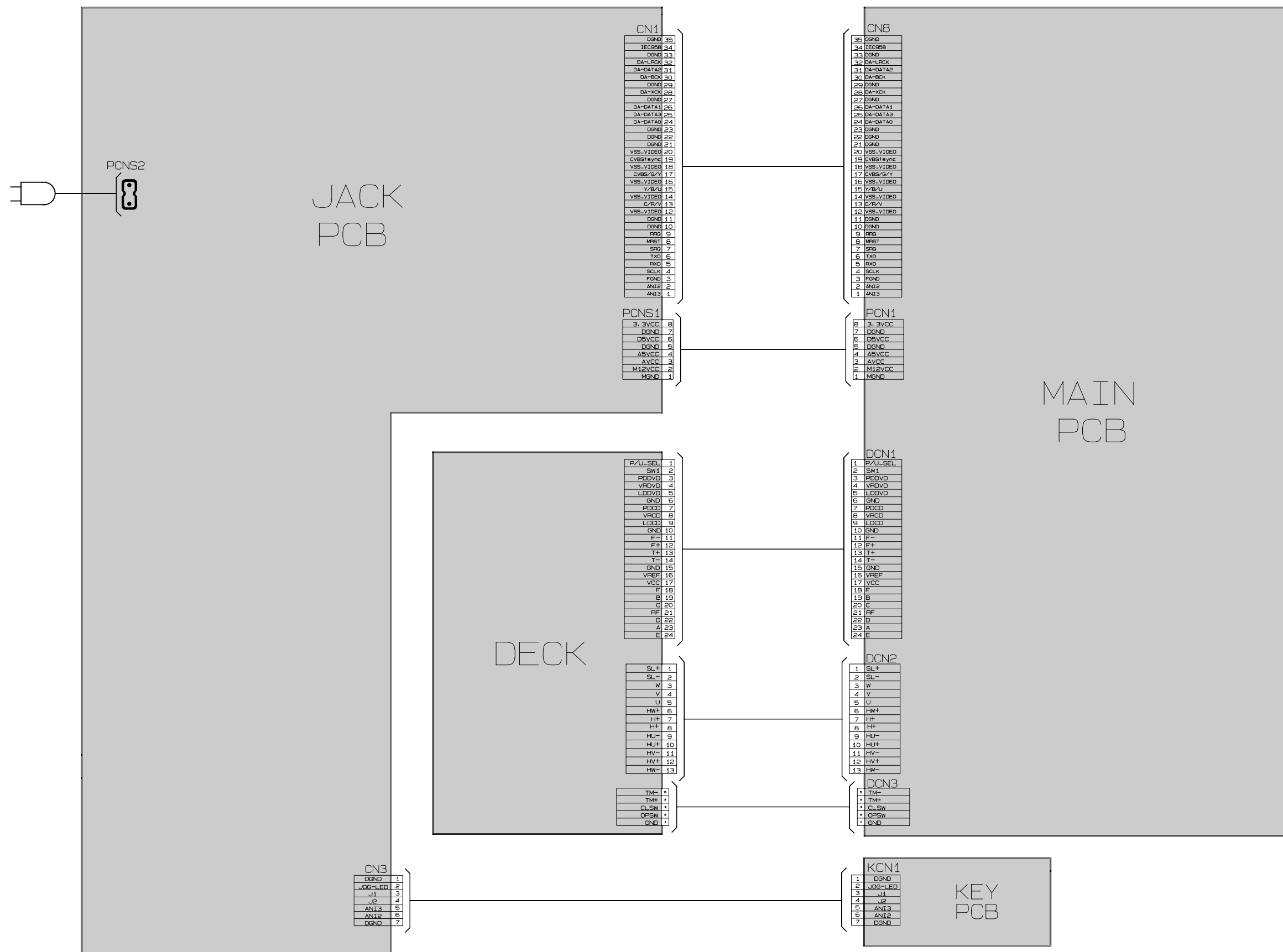
## 8. Wiring Diagrams

### 8-1 DVD-S221/S222/S320





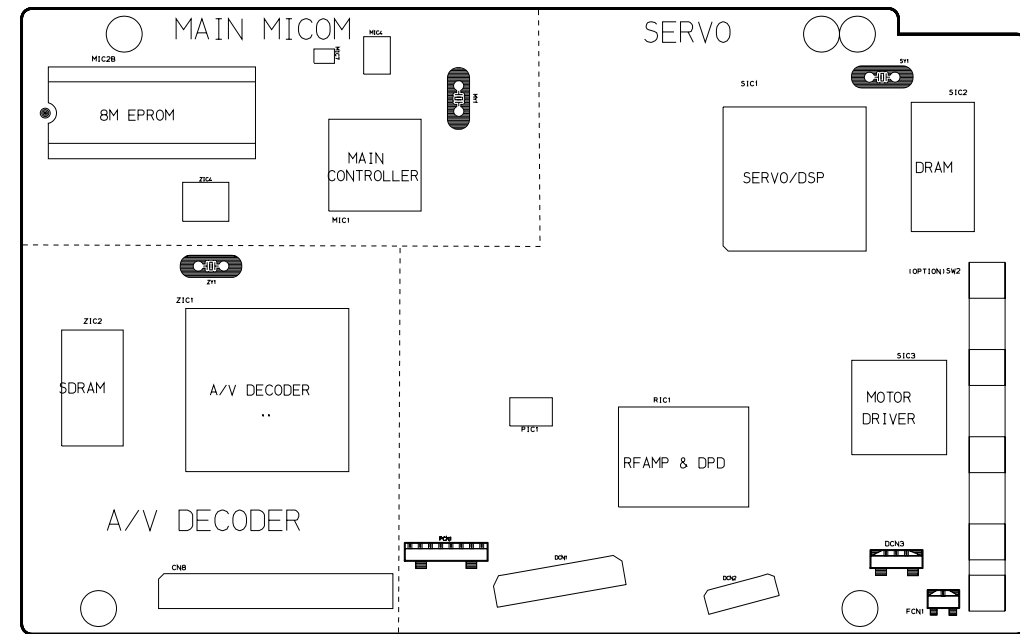
8-2 DVD-S321



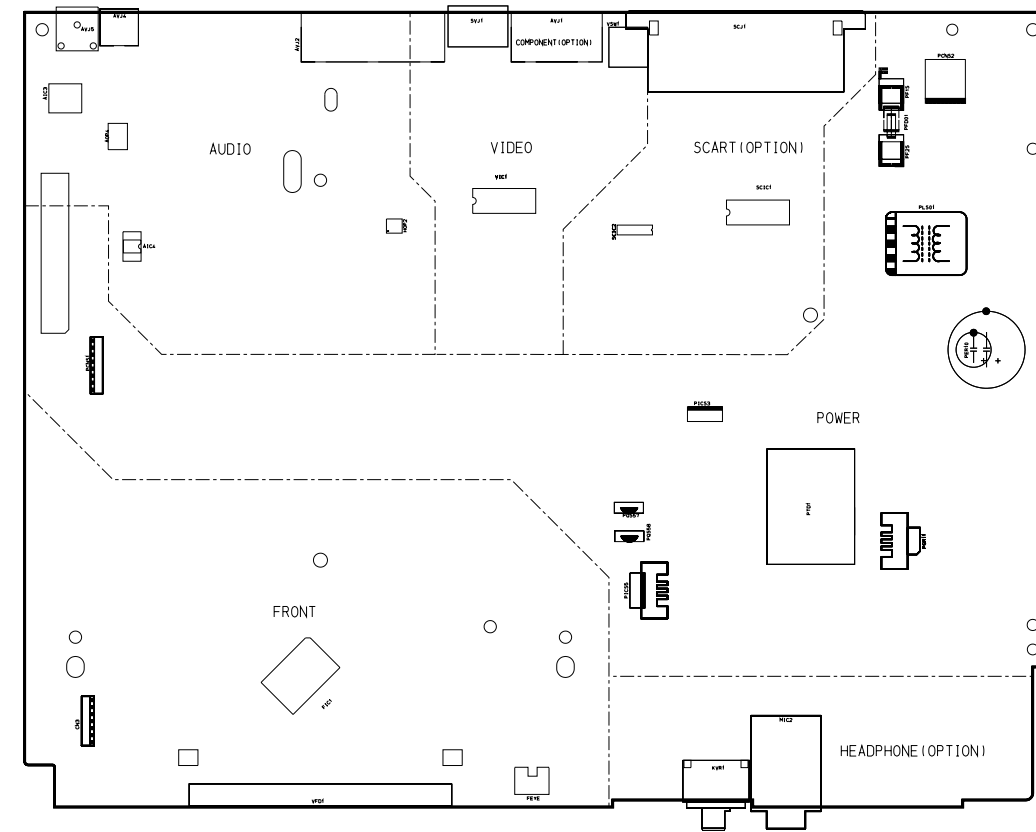
## 9. Schematic Diagrams

9-1 Power	9-2
9-2 AV-Decoder/Main-Micom/Key	9-3
9-3 Servo	9-4
9-4 Front-Micom/VFD Display (Only for DVD-S221/S222/S320)	9-5
9-5 Front-Micom/VFD Display (Only for DVD-S321)	9-6
9-6 Video	9-7
9-7 Audio (Only for DVD-S221/S222/S320)	9-8
9-8 Audio (Only for DVD-S321)	9-9
9-9 Headphone (Only for DVD-S321)	9-10
9-10 Key (Only for DVD-S321)	9-11

Block Identification of PCB



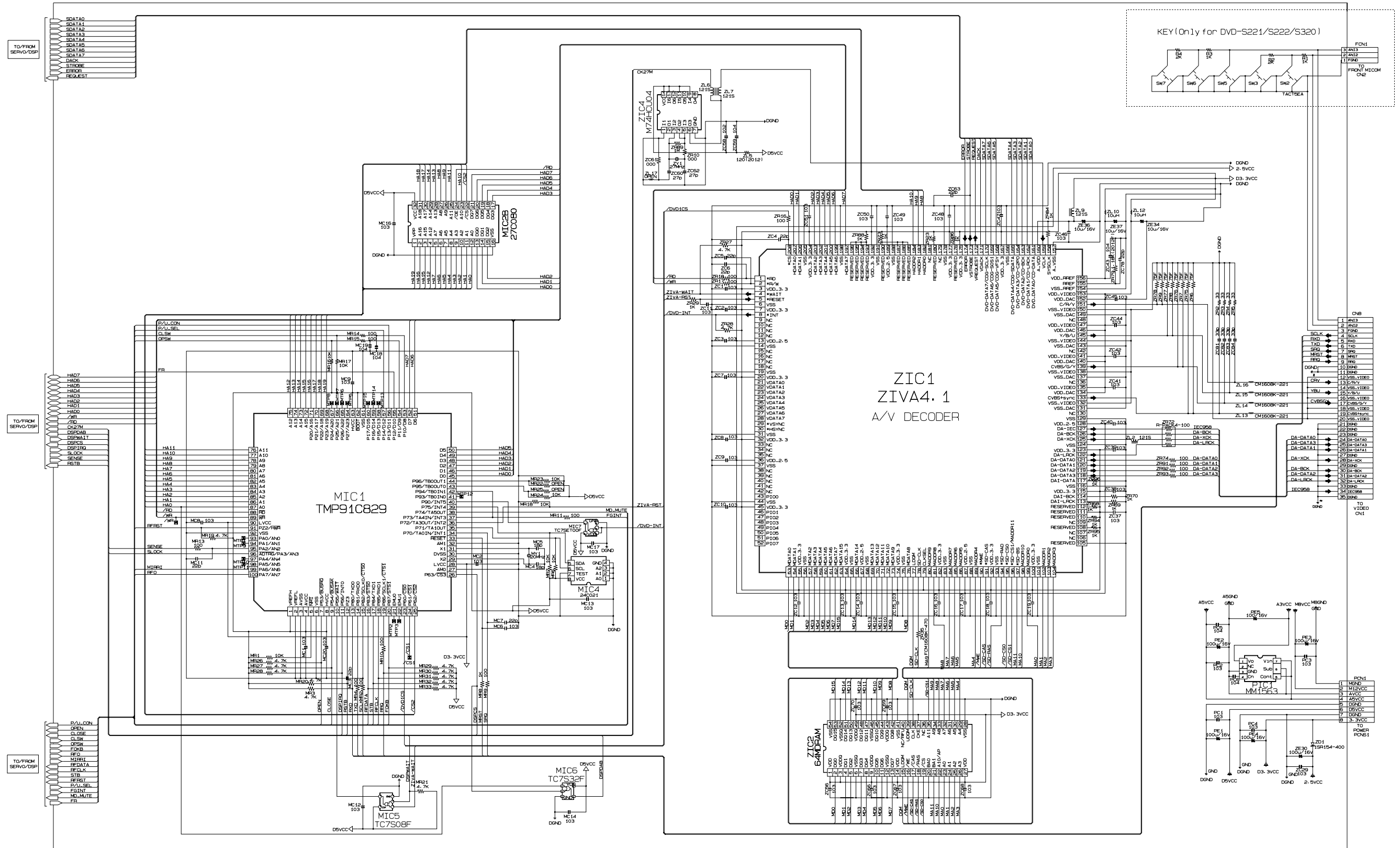
Main PCB (Component Side)



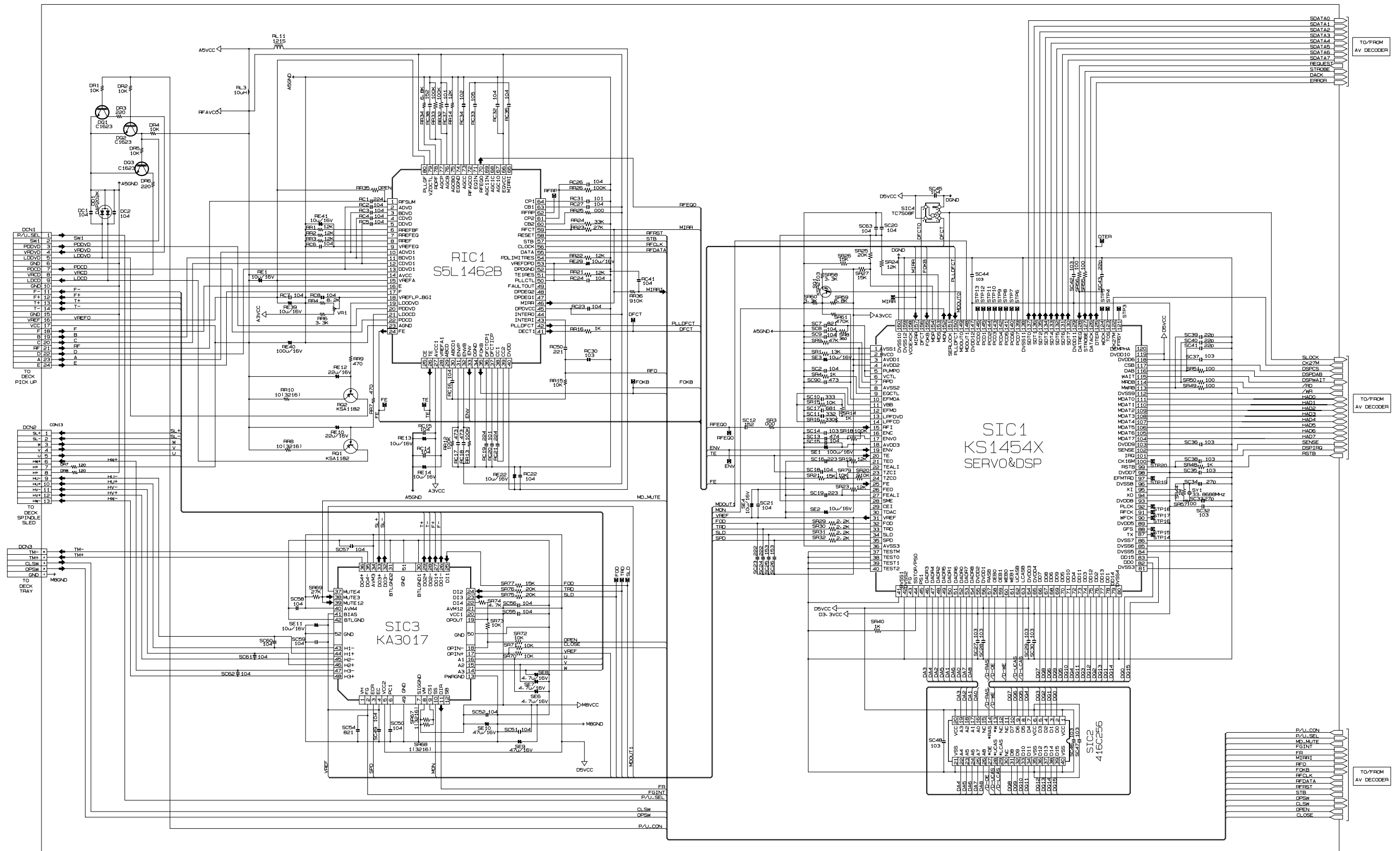
Jack PCB (Conductor Side)



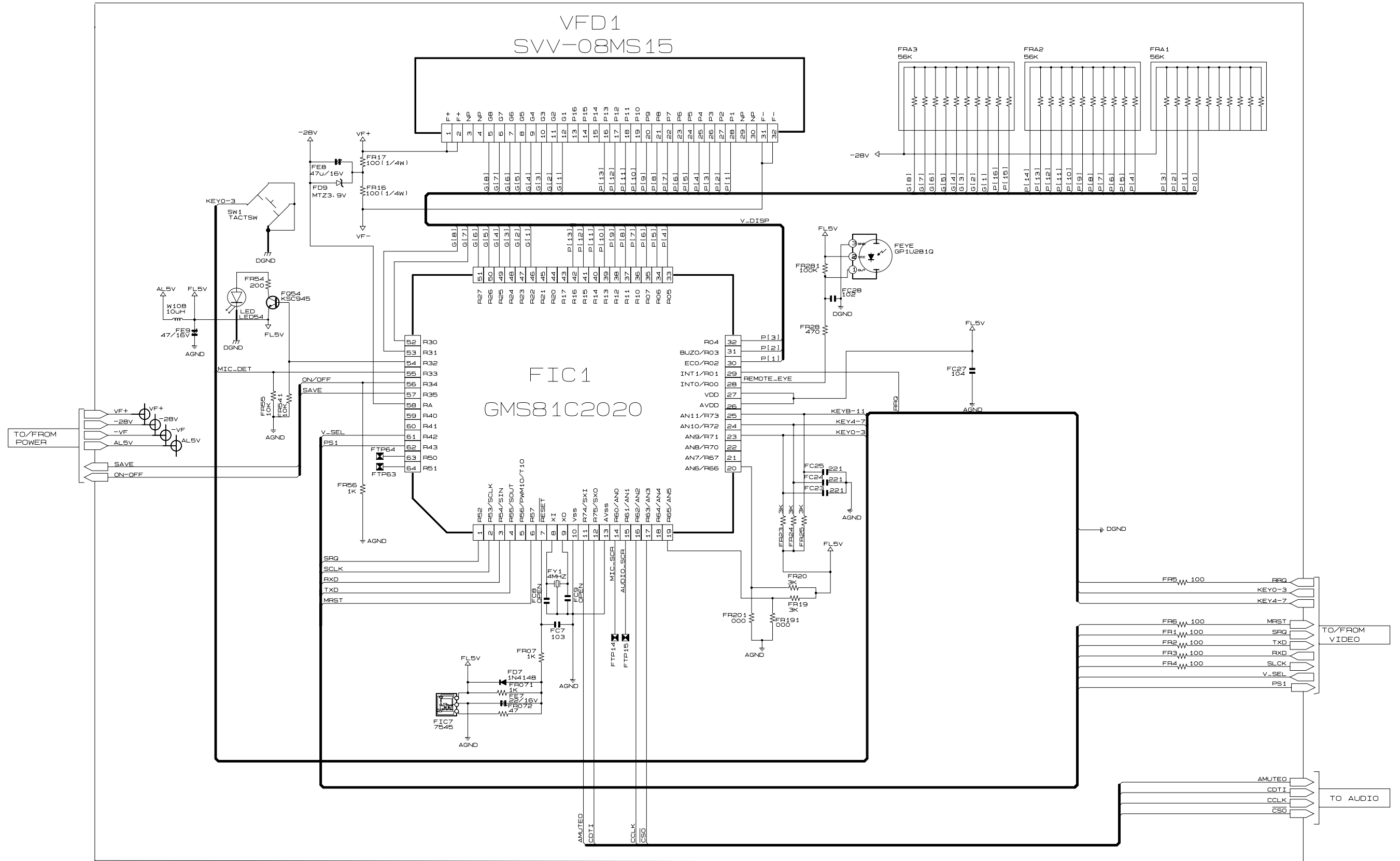
### 9-2 AV-Decoder/Main-Micom/Key



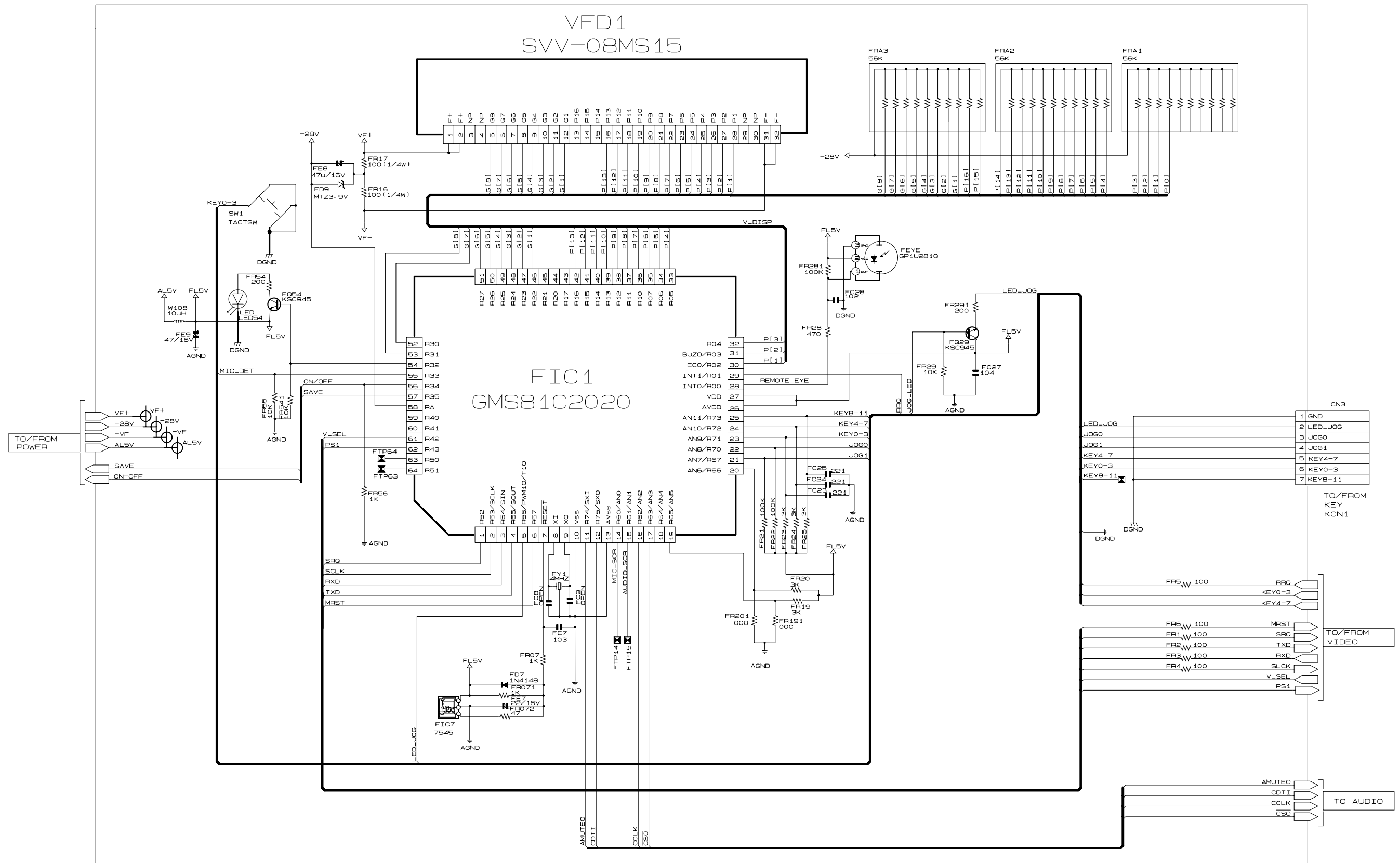
### 9-3 Servo



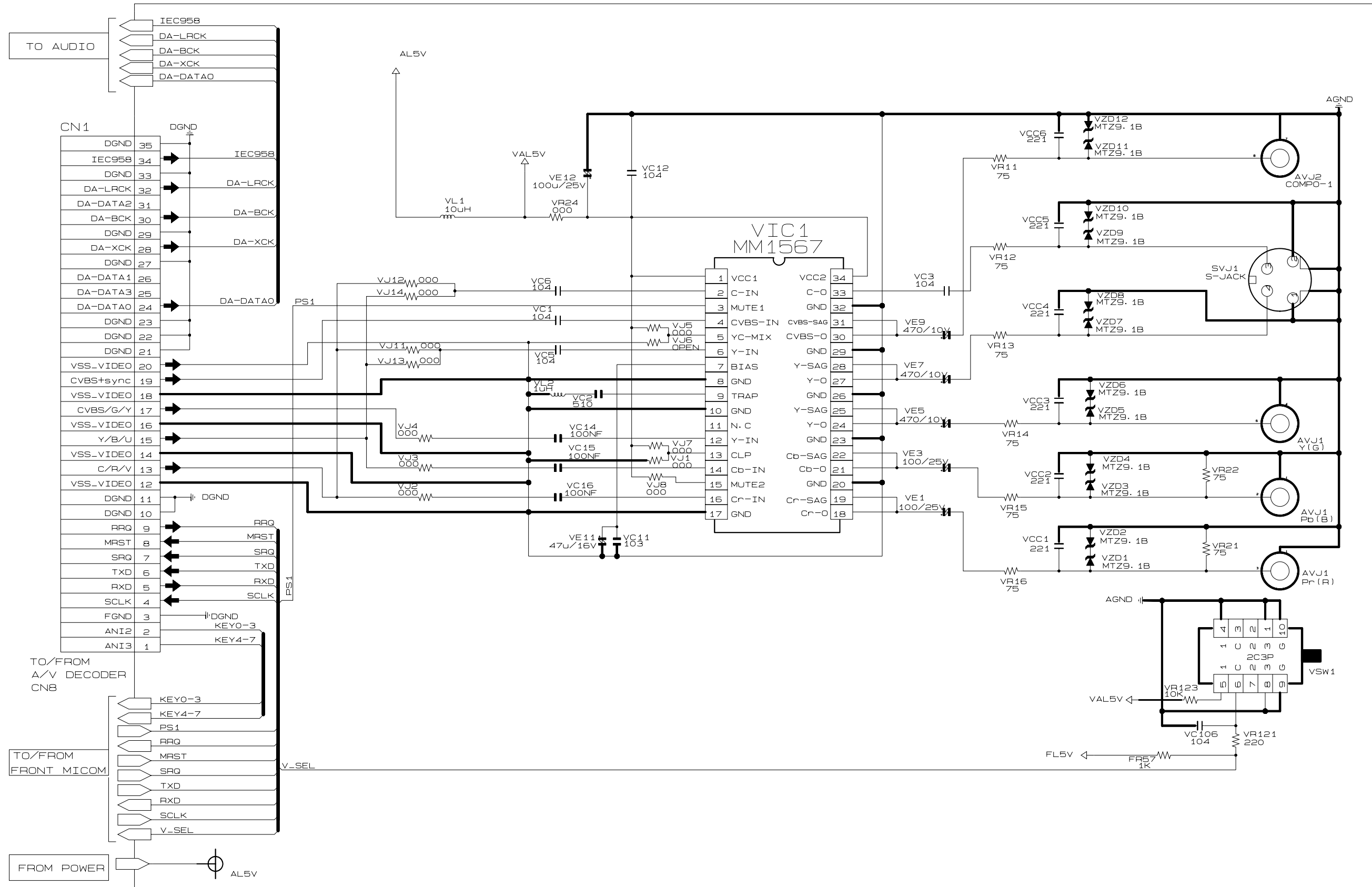
9-4 Front-Micom/VFD Display (Only for DVD-S221/S222/S320)



### 9-5 Front-Micom/VFD Display (Only for DVD-S321)

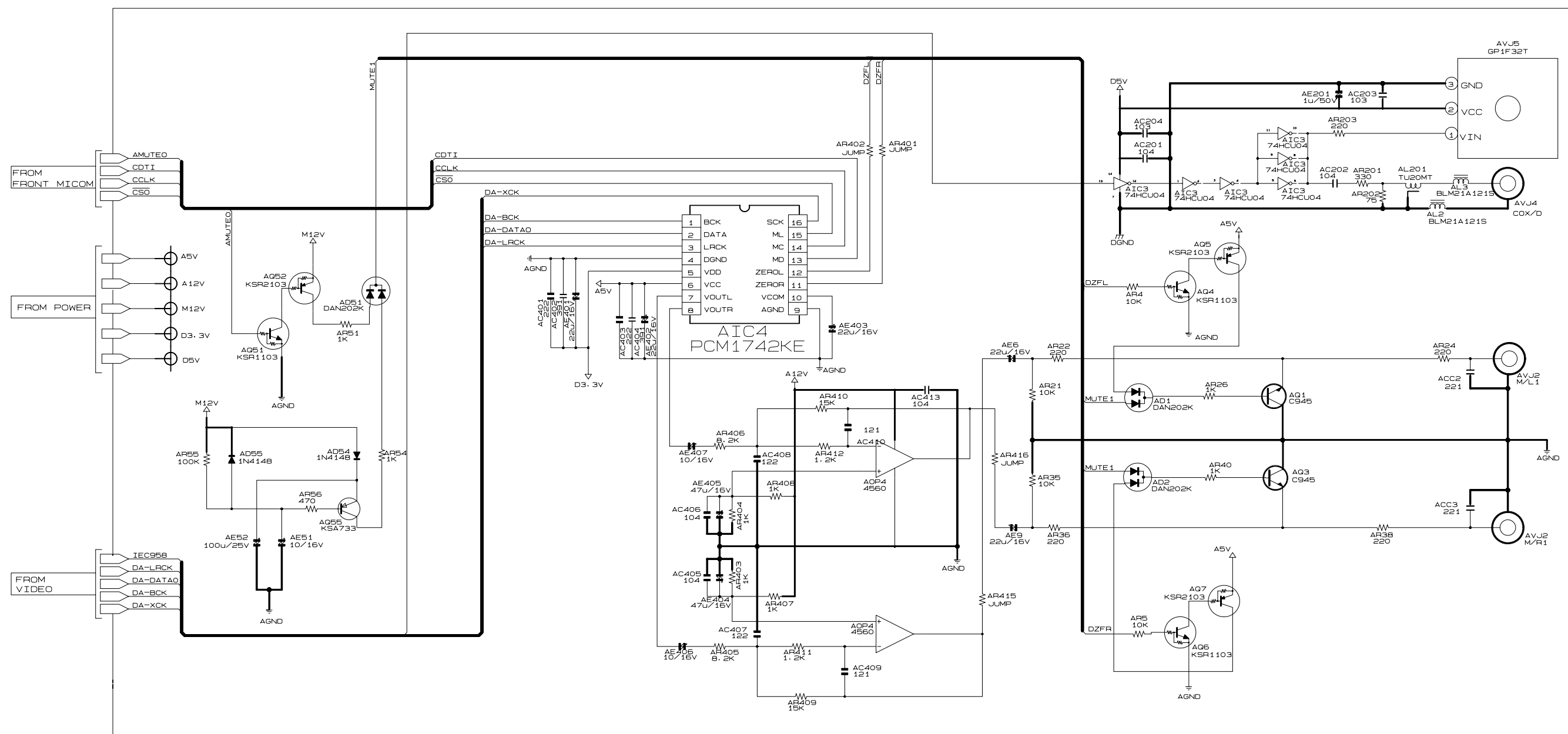


9-6 Video

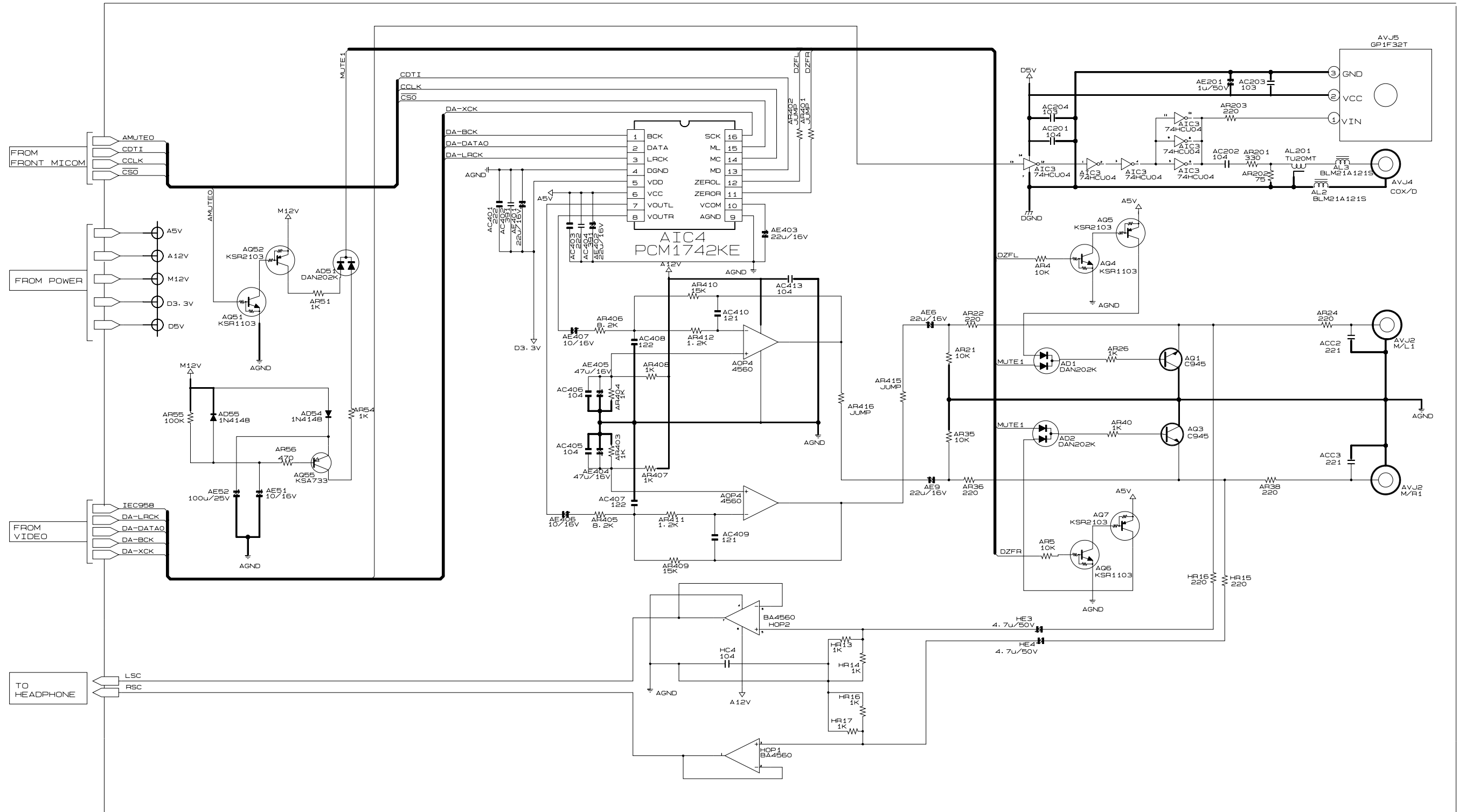




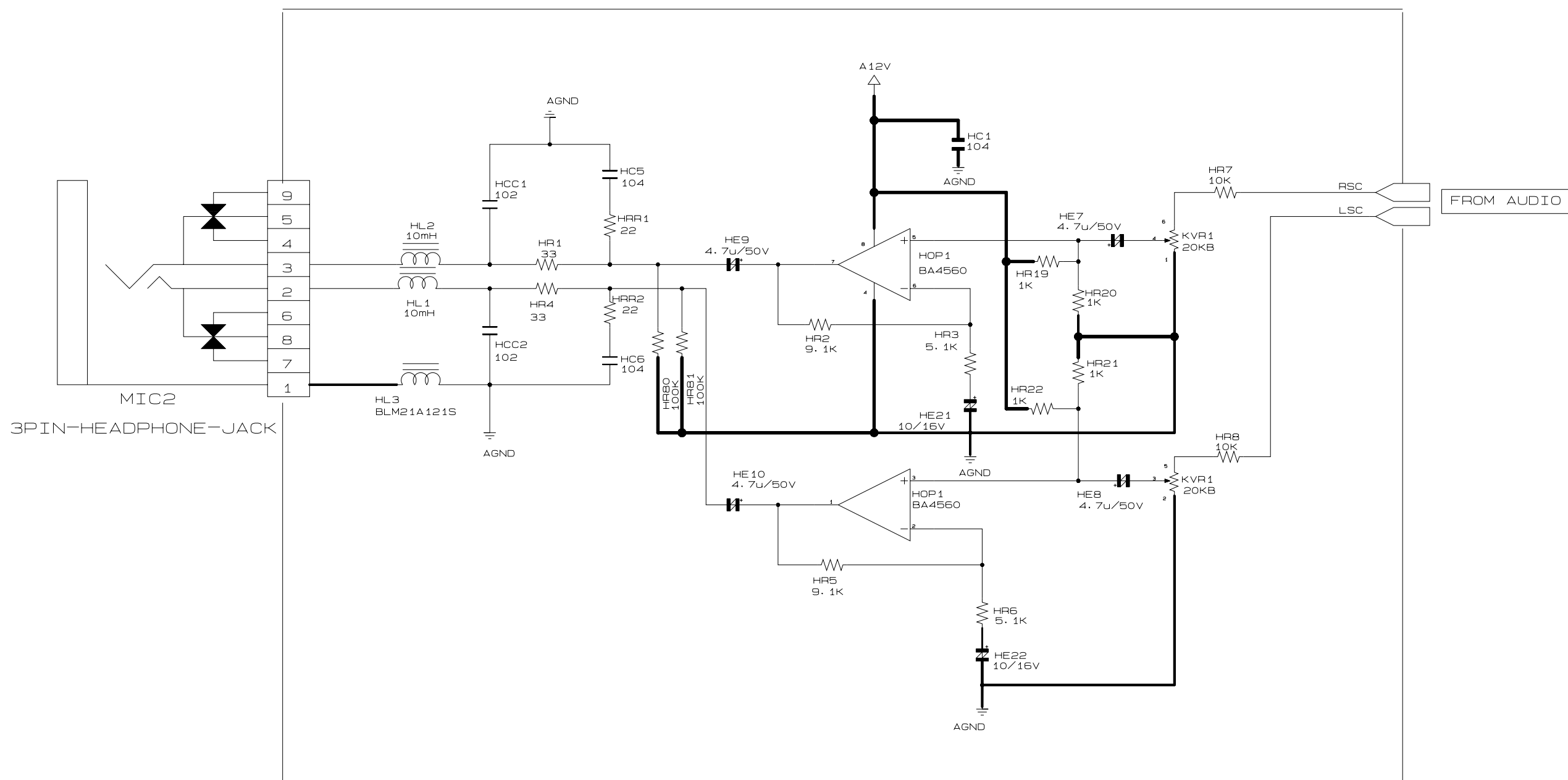
9-7 Audio (Only for DVD-S221/S222/S320)



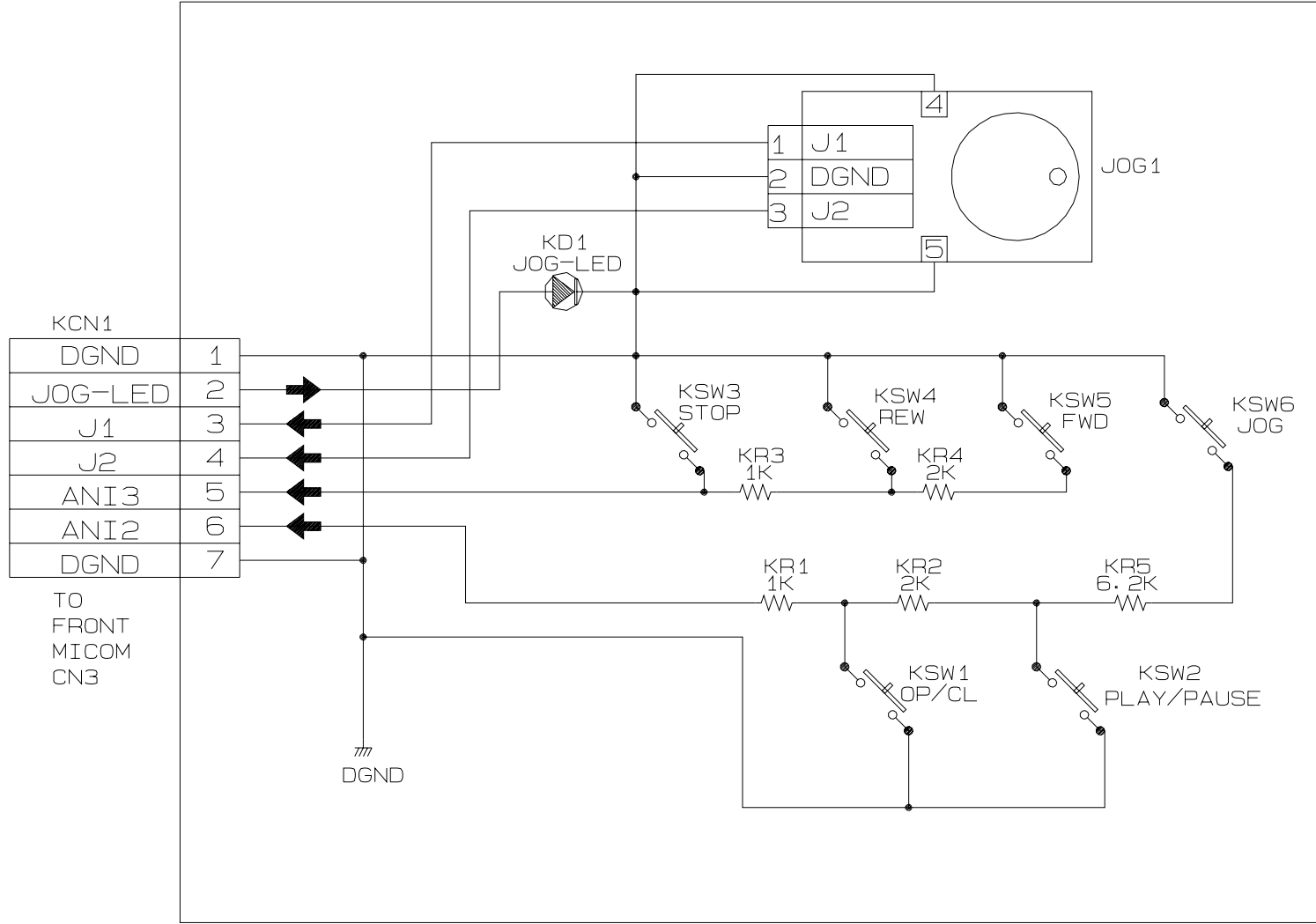
9-8 Audio (Only for DVD-S321)



### 9-9 Headphone (Only for DVD-S321)



9-10 KEY (Only for DVD-S321)



## MEMO